

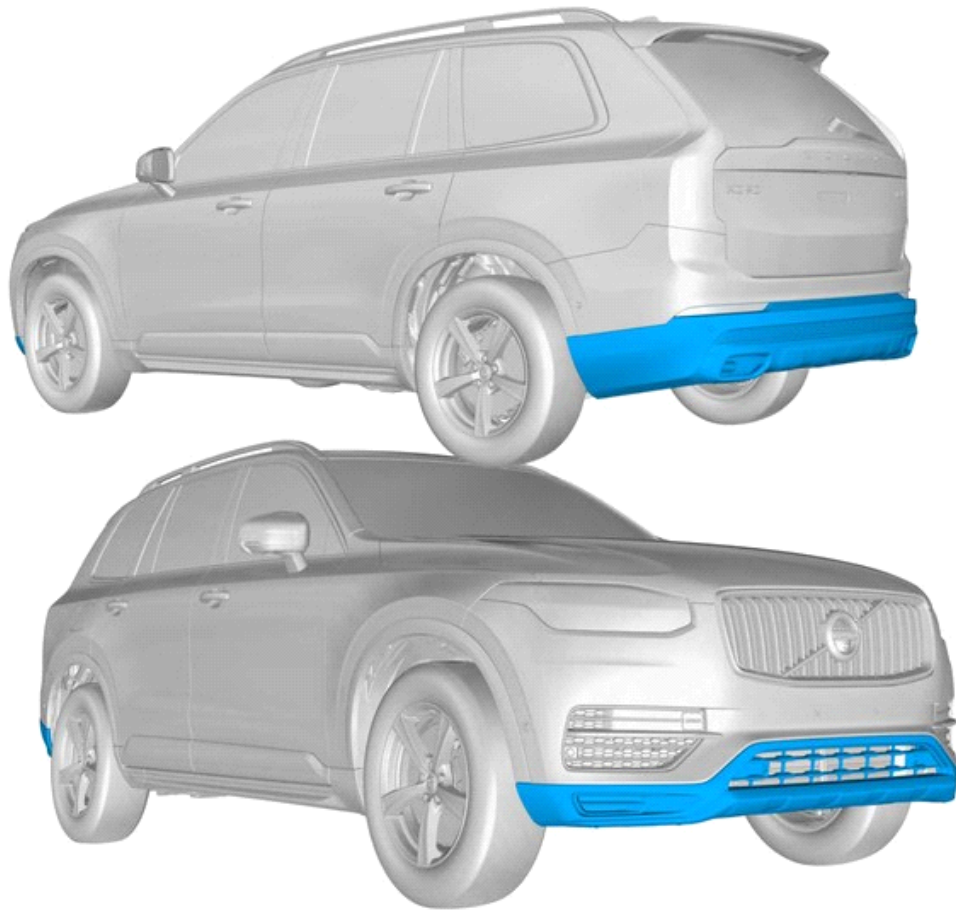


Installation instructions, accessories

Volvo Car Corporation Gothenburg, Sweden

Instruction No	Version	Part. No.
31399030	1.4	31399240, 39837548, 39837547, 39837546, 39837545, 39837550, 39837549, 39837555, 39837554, 39837553, 39837551, 39837557, 31408233, 39837556

Skid plate



IMG-396891



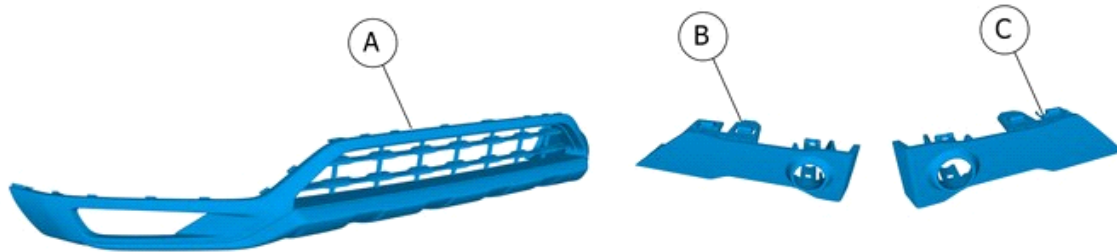
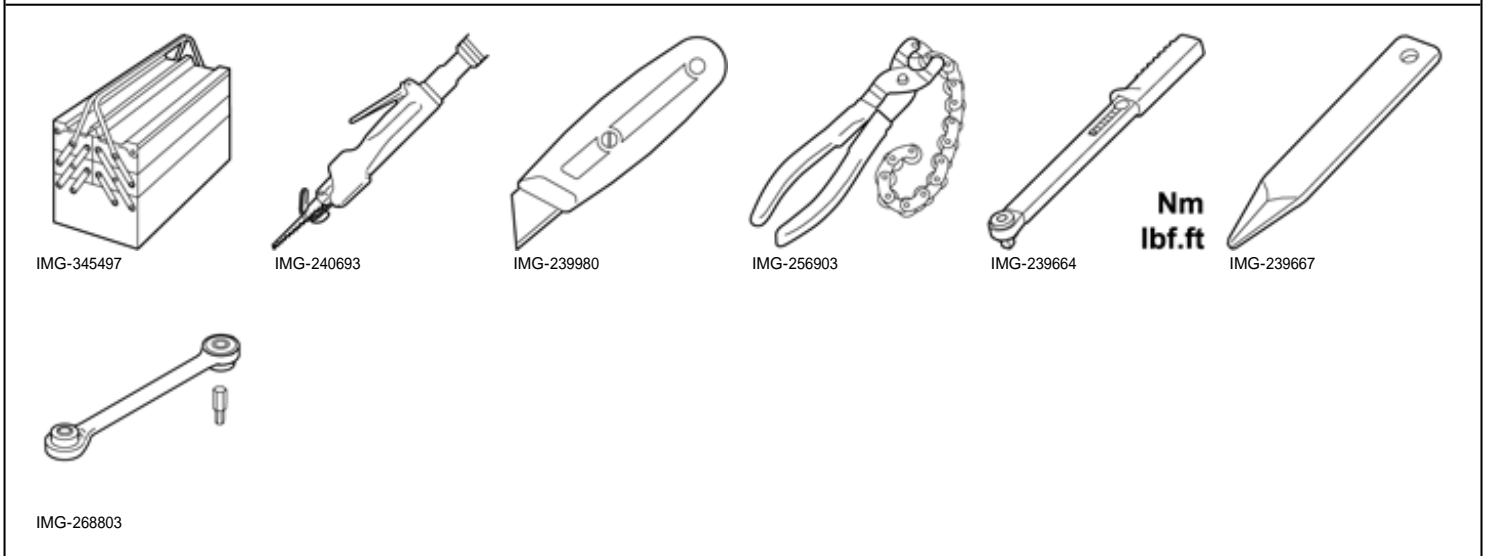
Installation instructions, accessories

Volvo Car Corporation Gothenburg, Sweden

Materials

Designation	Part number
Cleaning agent	1161721
Primer	1161727

Equipment

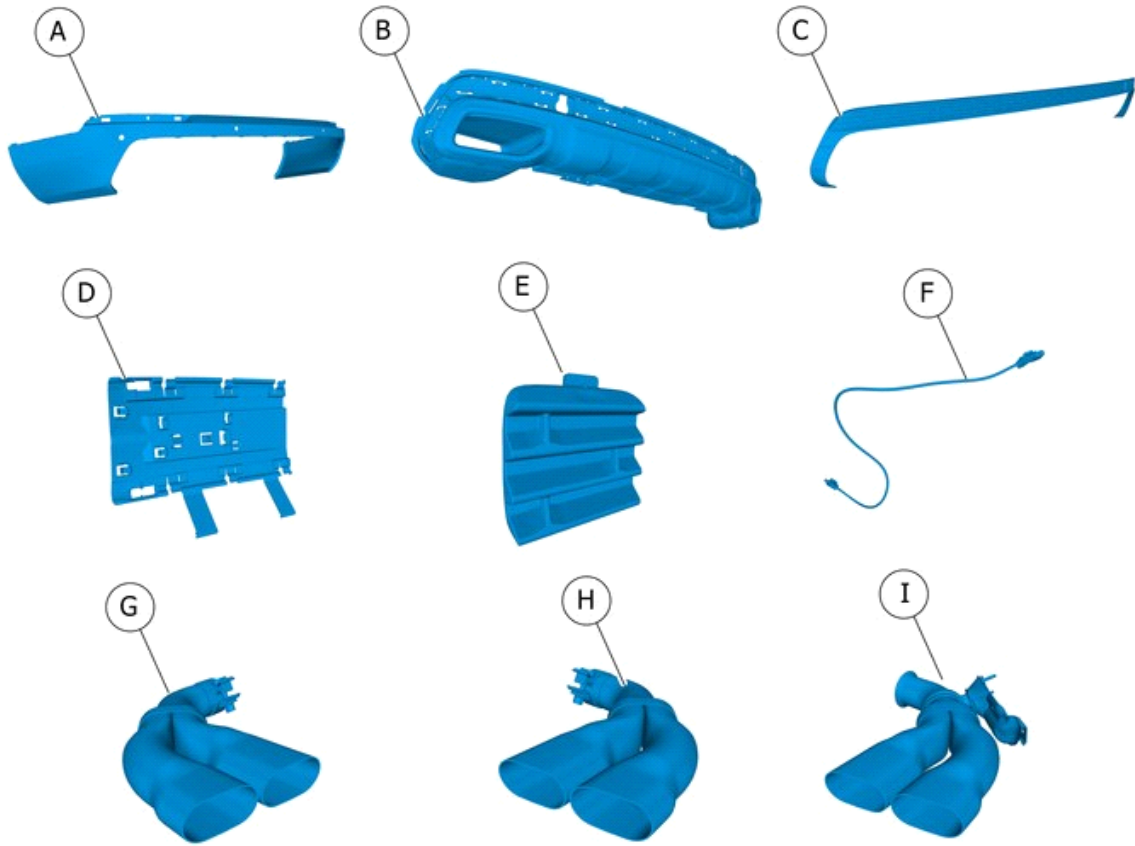


IMG-393133



Installation instructions, accessories

Volvo Car Corporation Gothenburg, Sweden



IMG-393110



Installation instructions, accessories

Volvo Car Corporation Gothenburg, Sweden

Information

1

Read through all of the instructions before starting installation.

Notifications and warning texts are for your safety and to minimise the risk of something breaking during installation.

Ensure that all tools stated in the instructions are available before starting installation.

Certain steps in the instructions are only presented in the form of images. Explanatory text is also given for more complicated steps.

In the event of any problems with the instructions or the accessory, contact your local Volvo dealer.

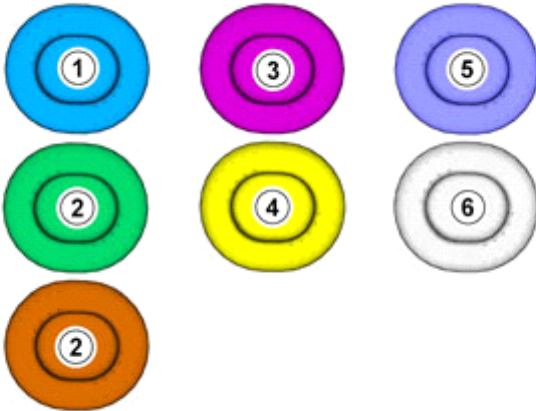
Further information

2

When installing, the car must retain a temperature of 20 degrees C.

Color symbols

3



IMG-363036

Note!

This colour chart displays (in colour print and electronic version) the importance of the different colours used in the images of the method steps.

1. Used for focused component, the component with which you will do something.
2. Used as extra colors when you need to show or differentiate additional parts.
3. Used for attachments that are to be removed/installed. May be screws, clips, connectors, etc.
4. Used when the component is not fully removed from the vehicle but only hung to the side.
5. Used for standard tools and special tools.
6. Used as background color for vehicle components.

Accessory installation



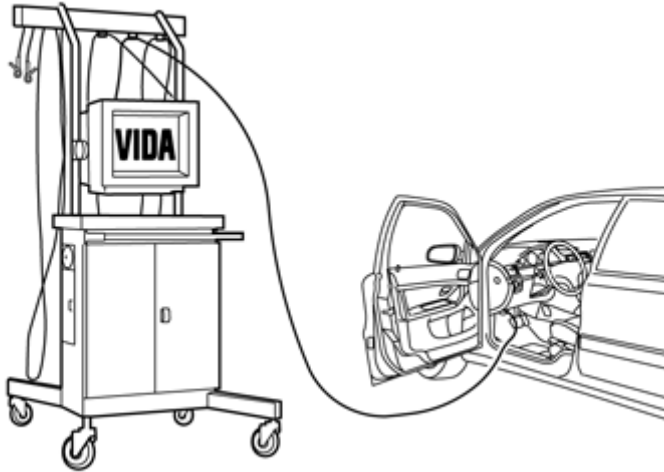
Installation instructions, accessories

Volvo Car Corporation Gothenburg, Sweden

Vehicles with Foot movement detection (FMDM)

4

Order and download software according to: 31414746

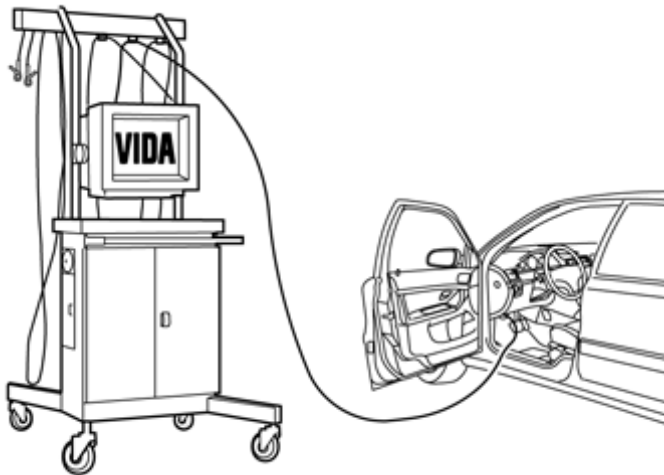


IMG-242268

Vehicles with parking assistance

5

Order and download software according to: 31414665



IMG-242268

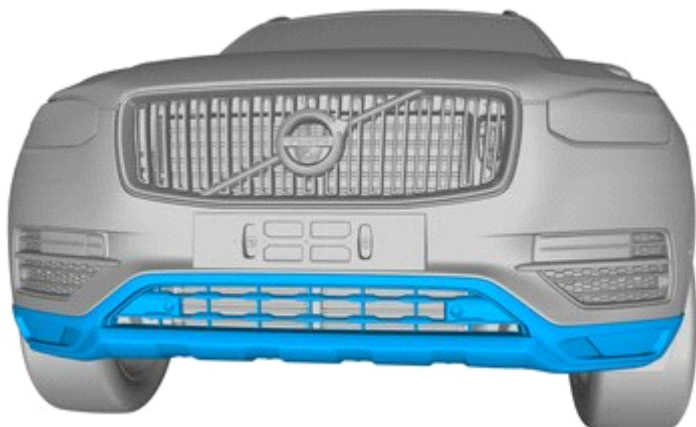
Concerns front Skidplate



Installation instructions, accessories

Volvo Car Corporation Gothenburg, Sweden

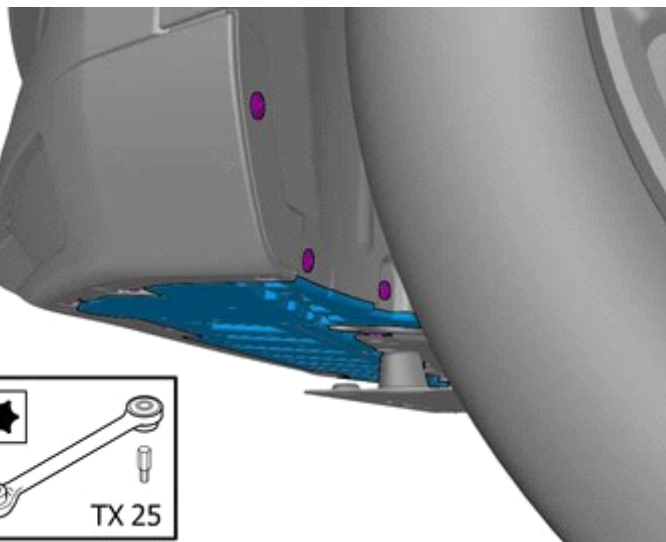
6



IMG-396886

Removal

7



IMG-392964

Note!
The screws are to be reused.

Remove the screws.

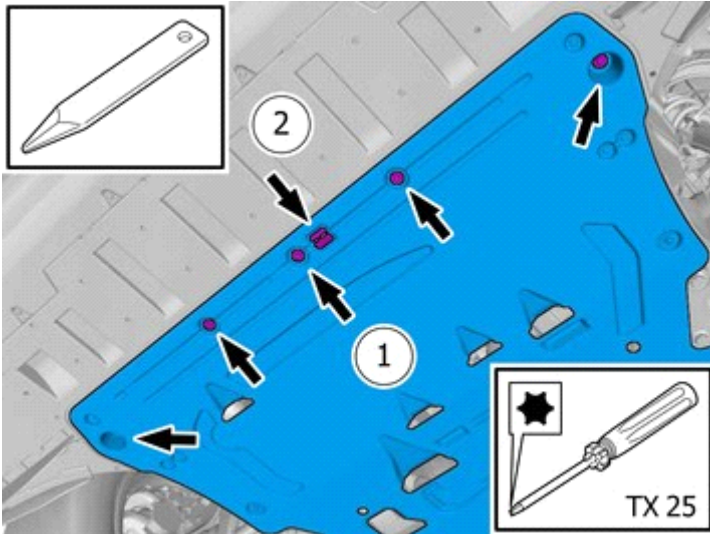
On both sides.



Installation instructions, accessories

Volvo Car Corporation Gothenburg, Sweden

8

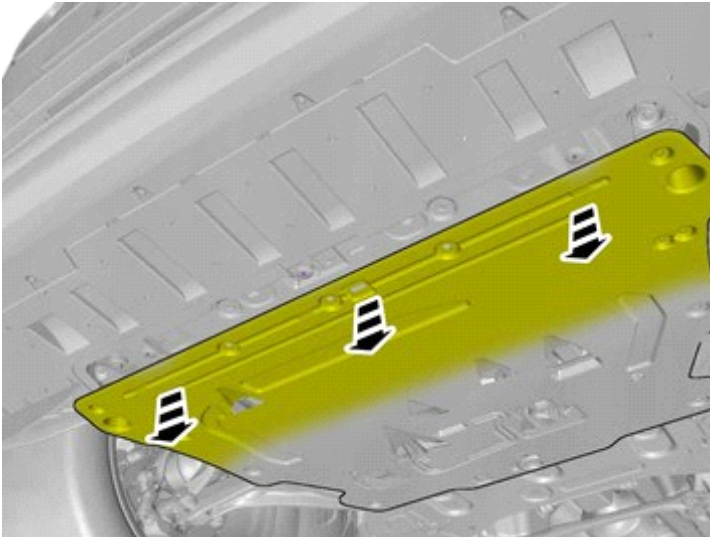


IMG-392958

Remove the screws.

Loosen the clip.

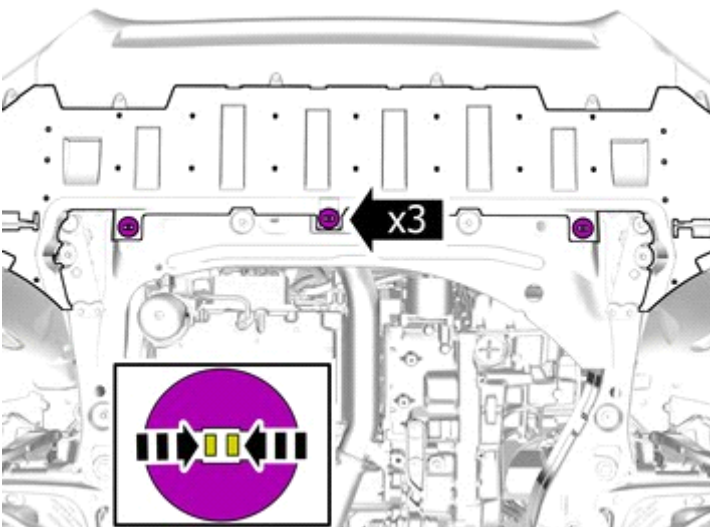
9



IMG-393125

Fold marked part to one side.

10



IMG-387143

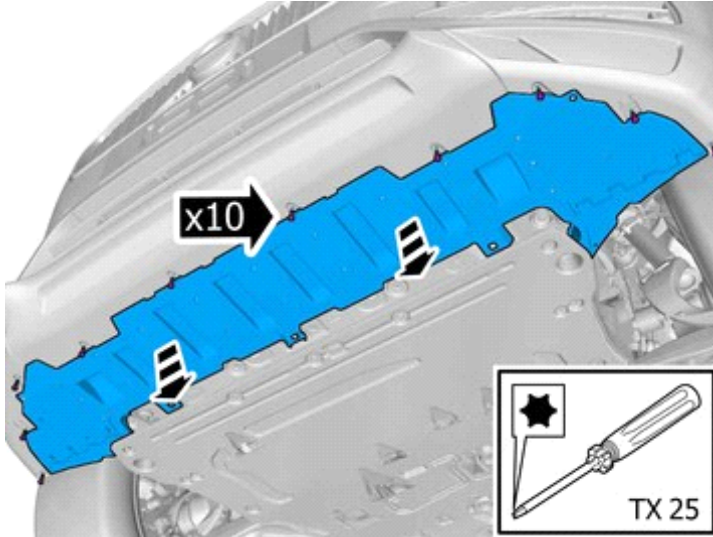
Remove the clips.



Installation instructions, accessories

Volvo Car Corporation Gothenburg, Sweden

11

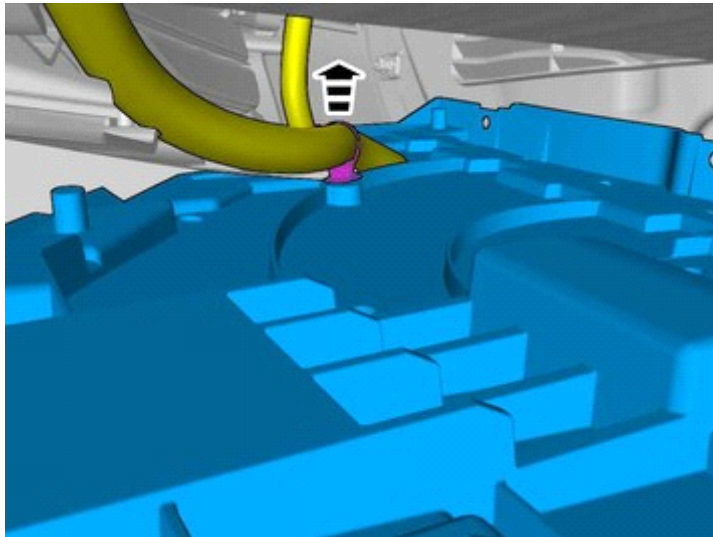


IMG-397010

Remove the screws.

Remove the marked part.

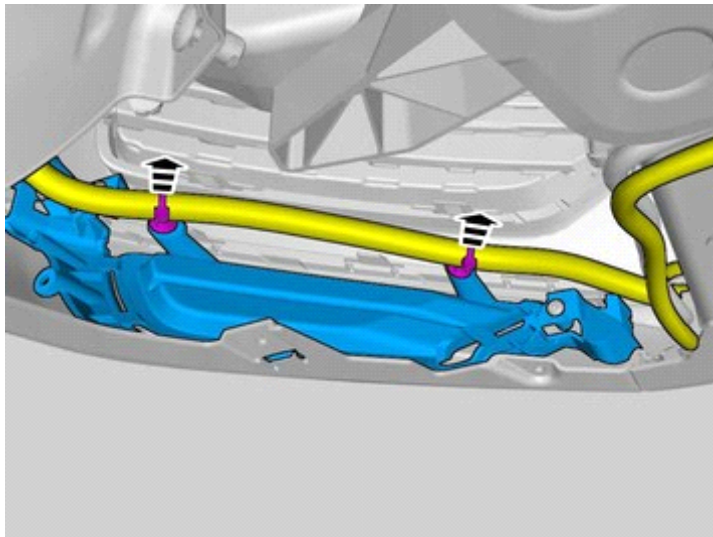
12



IMG-397035

Remove the cable harness clips.

13



IMG-397036

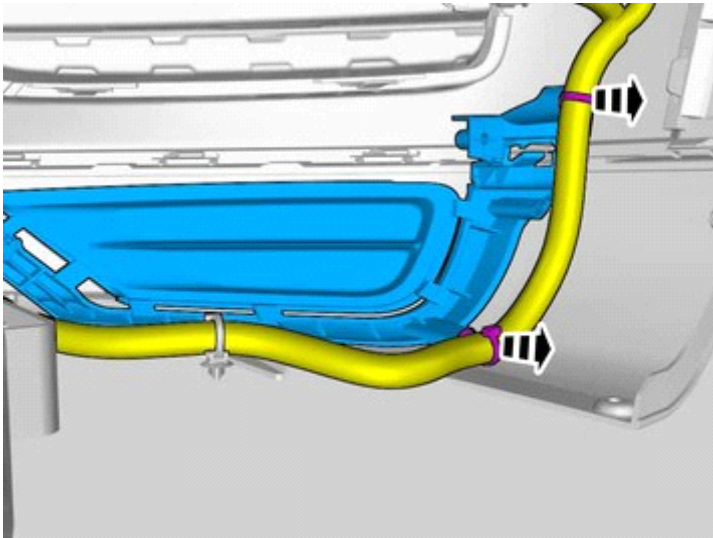
Remove the cable harness clips.



Installation instructions, accessories

Volvo Car Corporation Gothenburg, Sweden

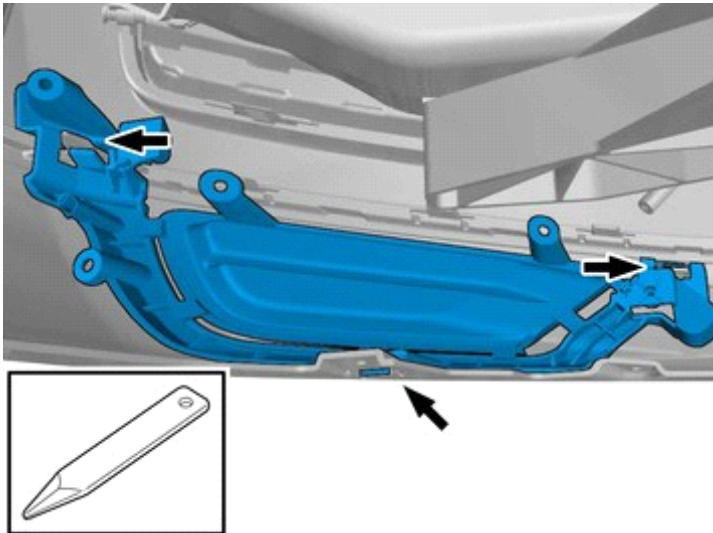
14



IMG-397037

Remove the cable harness clips.

15



IMG-393134

Remove the marked part.

The part is to be reused.

On both sides.

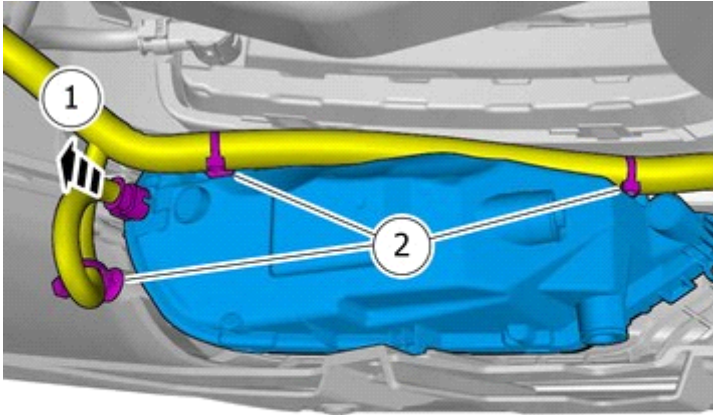
Vehicles with Front Fog Lamps



Installation instructions, accessories

Volvo Car Corporation Gothenburg, Sweden

16

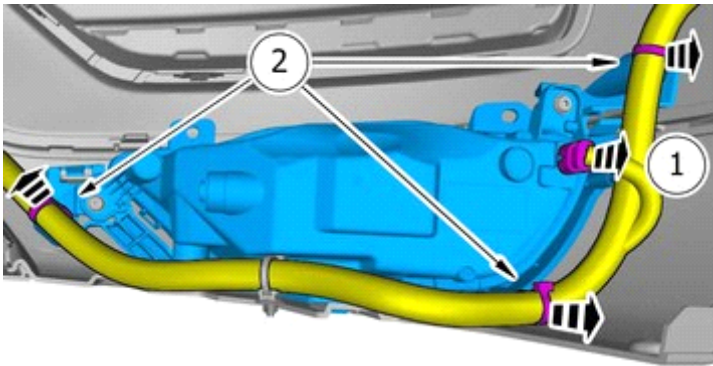


Disconnect the connector.

Remove the cable harness clips.

IMG-392968

17

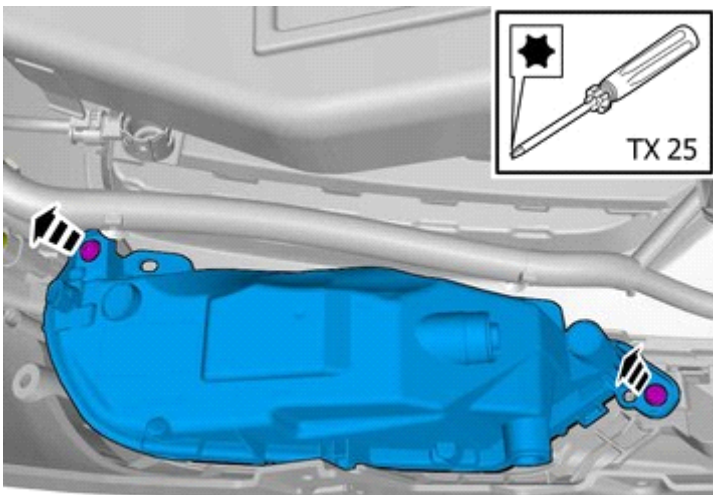


Disconnect the connector.

Remove the cable harness clips.

IMG-397054

18



Remove the screws.

Remove the marked part.

The part is to be reused.

On both sides.

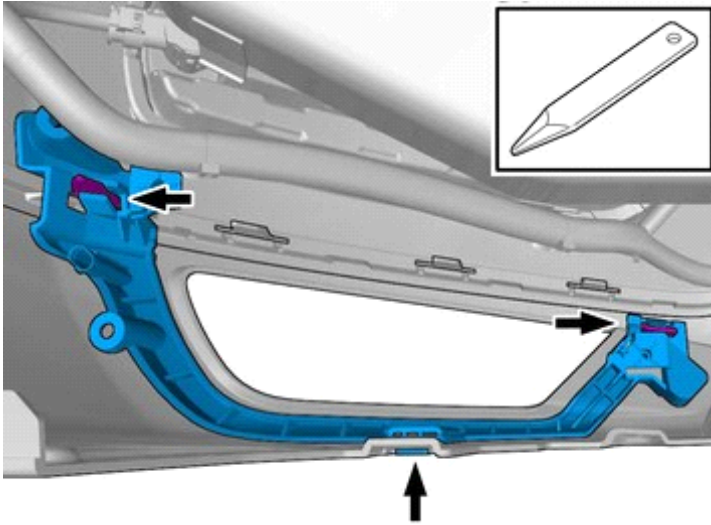
IMG-393126



Installation instructions, accessories

Volvo Car Corporation Gothenburg, Sweden

19



IMG-392972

Release the catches.

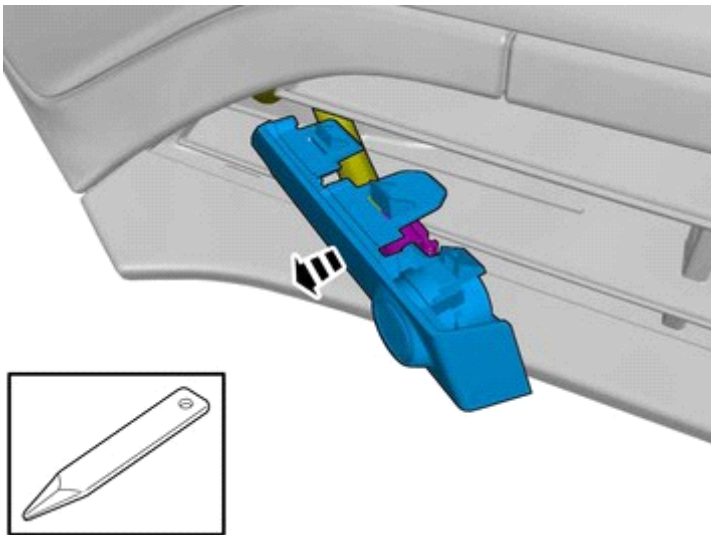
Remove the marked part.

The part is to be reused.

On both sides.

Vehicles with parking assistance

20



IMG-393127

Remove the marked part.

Disconnect the connector.

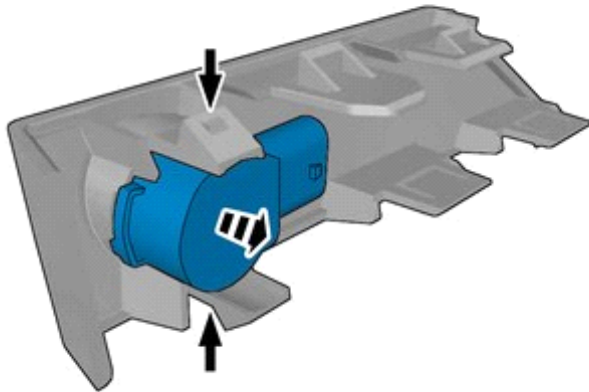
On both sides.



Installation instructions, accessories

Volvo Car Corporation Gothenburg, Sweden

21



IMG-393128

Release the catches.

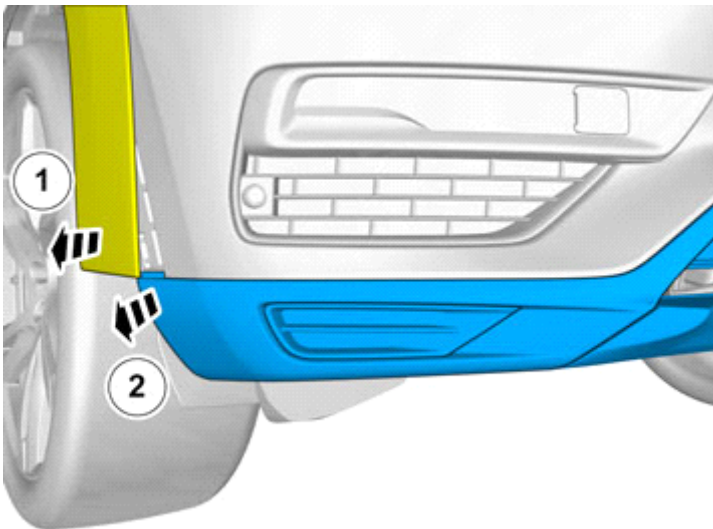
Remove the marked part.

The part is to be reused.

On both sides.

All vehicles

22



IMG-383170

Fold marked part to one side.

Remove the part carefully

On both sides.



Installation instructions, accessories

Volvo Car Corporation Gothenburg, Sweden

23

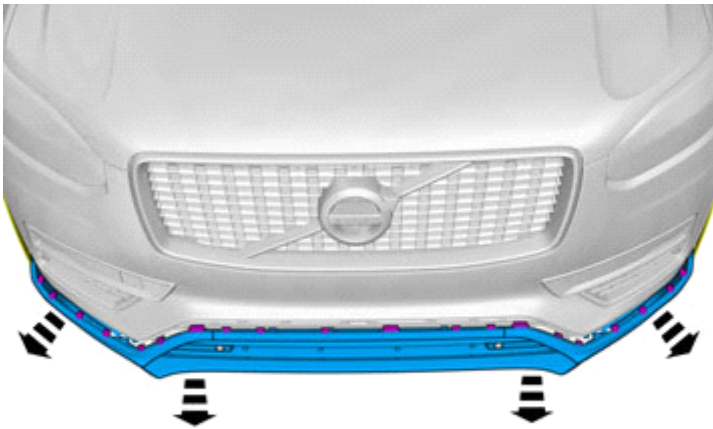


IMG-396314

Loosen the clips.

The part is to be reused.

24

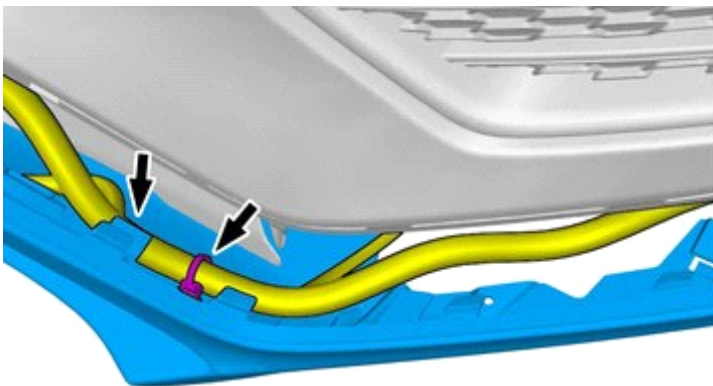


IMG-383194

Remove the marked part.

The part is not to be reused.

25



IMG-393322

Remove the cable harness clips.

Repeat on the other side.



Installation instructions, accessories

Volvo Car Corporation Gothenburg, Sweden

Accessory installation

26

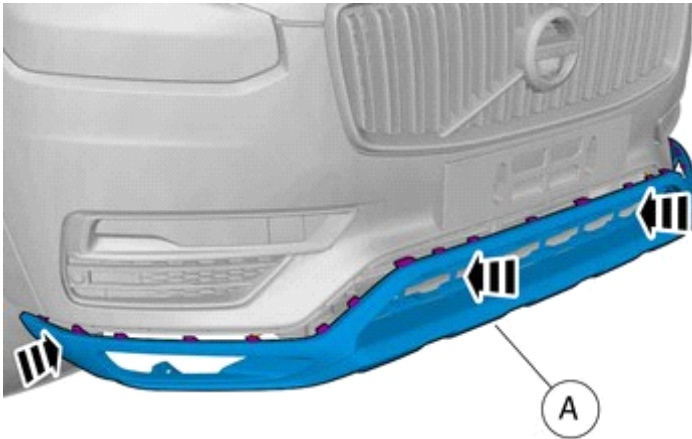


IMG-396316

Install the clip(s).

On both sides.

27



IMG-393130

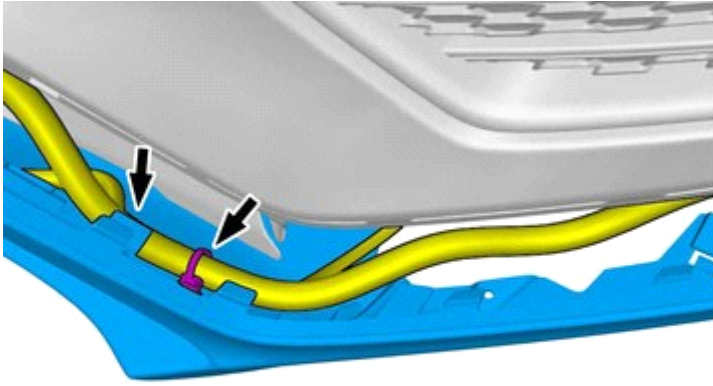
Install component that comes with the accessory kit.



Installation instructions, accessories

Volvo Car Corporation Gothenburg, Sweden

28



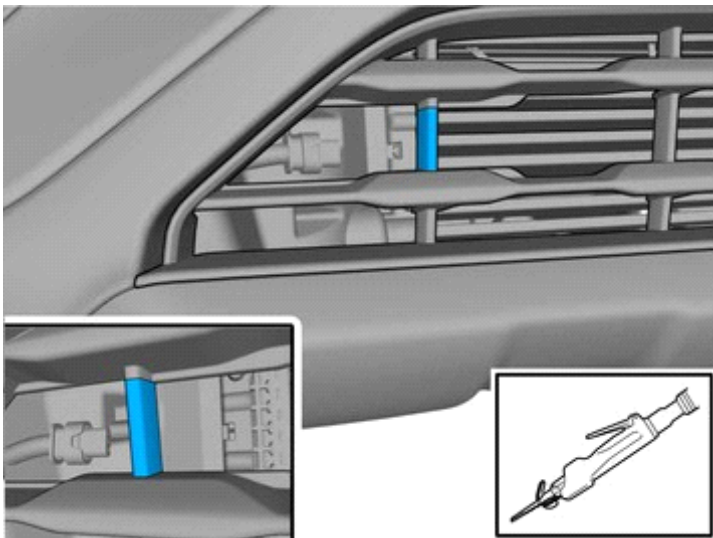
Fasten the wiring harness using the existing clips.

On both sides.

IMG-393322

Vehicles with parking assistance

29



Remove the marked part.

On both sides.

Use: Air-powered keyhole saw

IMG-397090

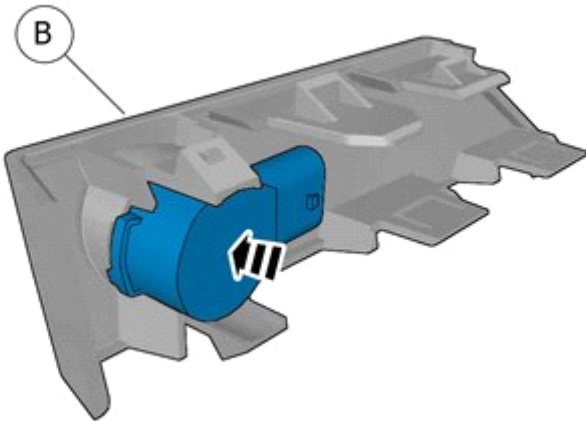


Installation instructions, accessories

Volvo Car Corporation Gothenburg, Sweden

30

Reinstall the removed part.

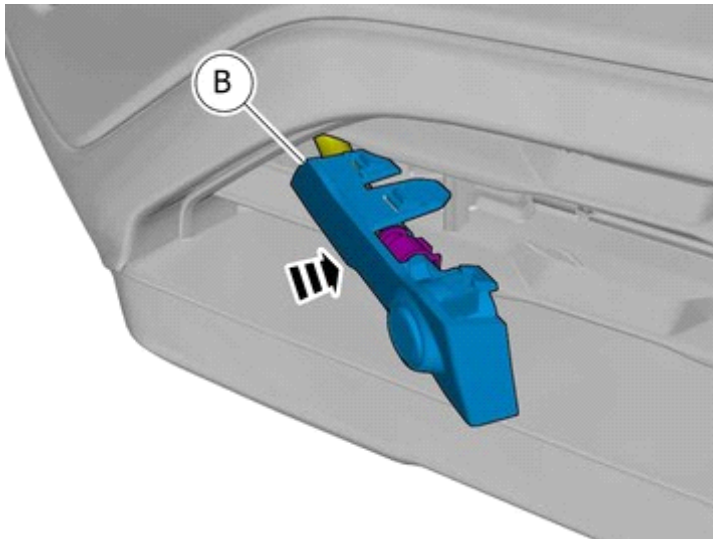


IMG-393131

31

Install component that comes with the accessory kit.

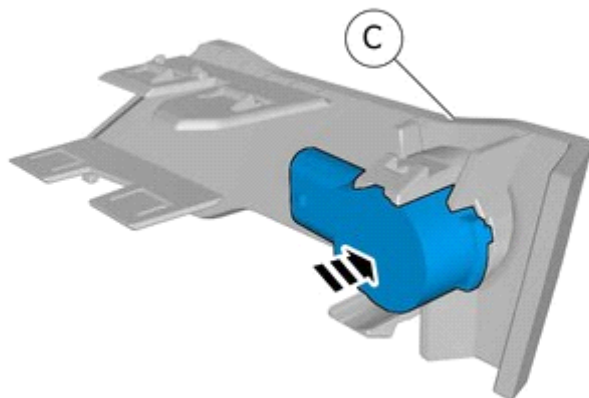
Connect the connector.



IMG-393132

32

Reinstall the removed part.



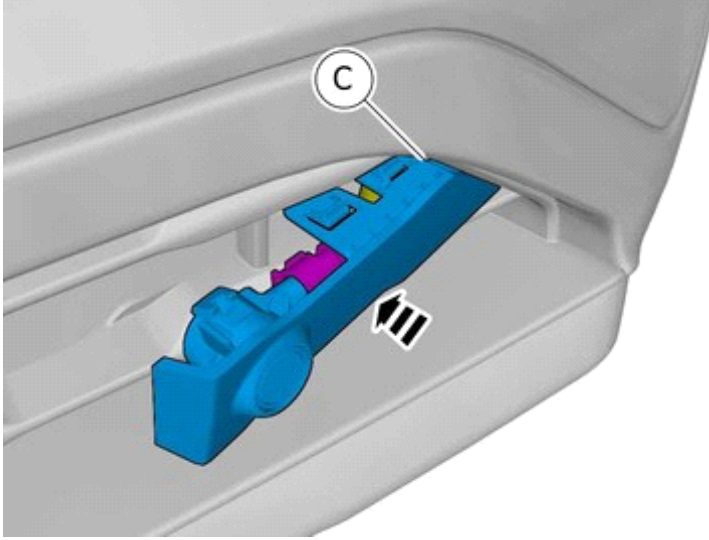
IMG-393324



Installation instructions, accessories

Volvo Car Corporation Gothenburg, Sweden

33



IMG-393323

Install component that comes with the accessory kit.

Connect the connector.

34

Reinstall the removed parts in reverse order.

IMG-377070

Concerns rear Skidplate



Installation instructions, accessories

Volvo Car Corporation Gothenburg, Sweden

35

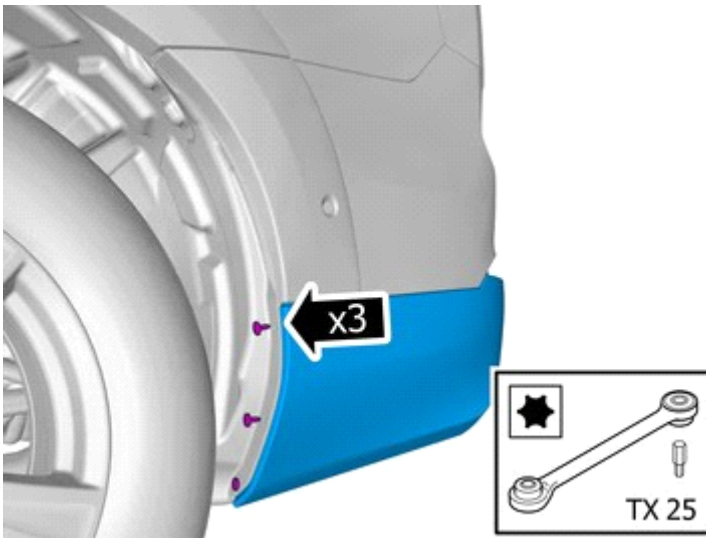


Note!
Orientation view

IMG-396894

Removal

36



IMG-383914

Remove the screws.

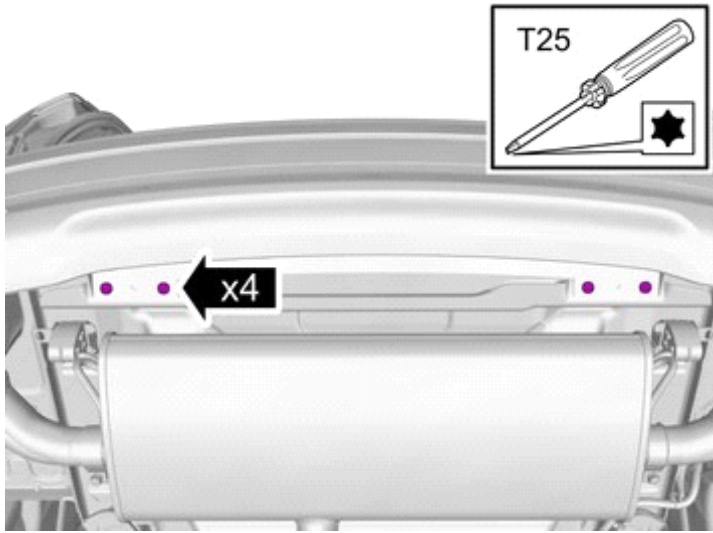
On both sides.



Installation instructions, accessories

Volvo Car Corporation Gothenburg, Sweden

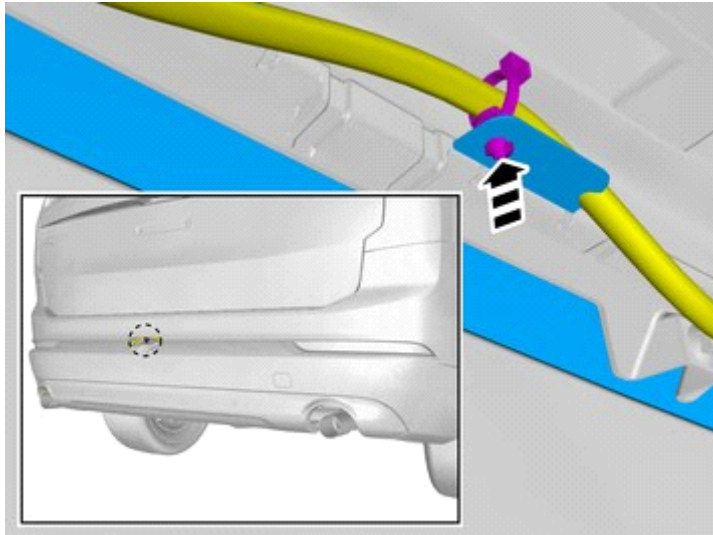
37



IMG-381901

Remove the screws.

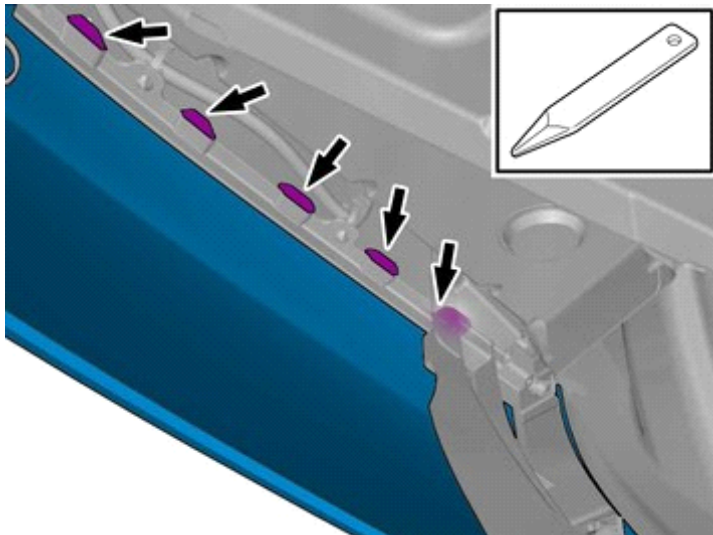
38



IMG-383913

Loosen the clip.

39



IMG-392936

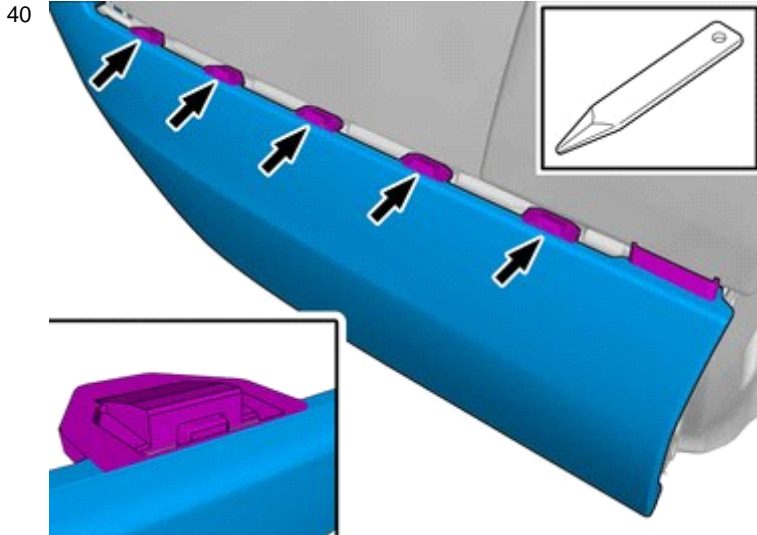
Release the catches.

On both sides.

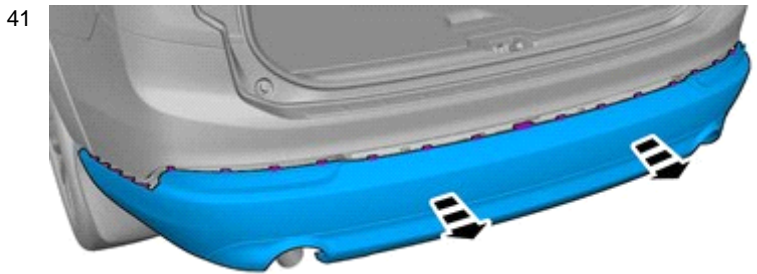


Installation instructions, accessories

Volvo Car Corporation Gothenburg, Sweden



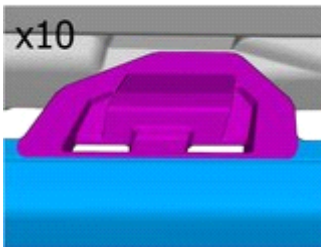
IMG-396385



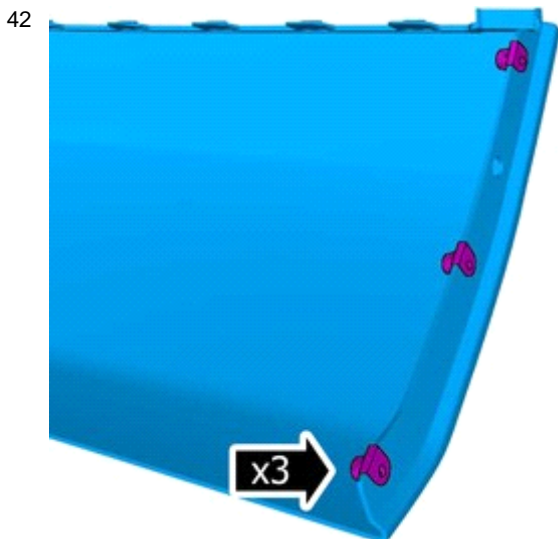
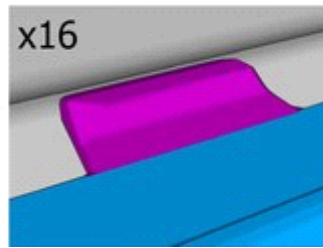
Note!

This step is easier with two people.

Remove the marked part.



IMG-392940



Remove the clips.

The part is to be reused.

On both sides.

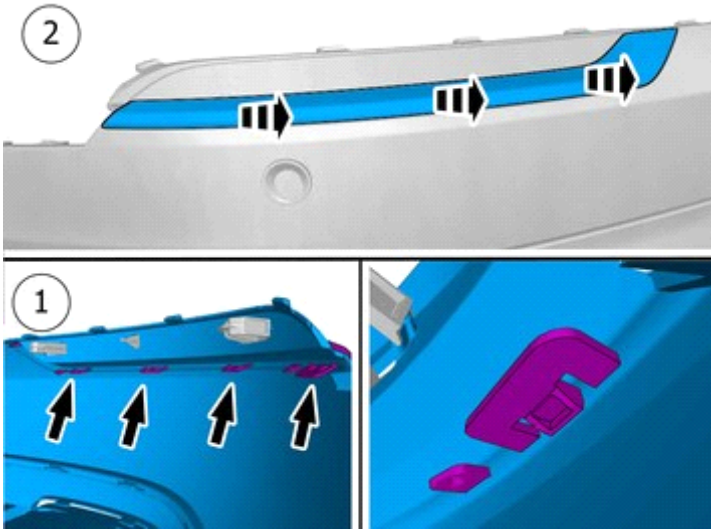
IMG-397189



Installation instructions, accessories

Volvo Car Corporation Gothenburg, Sweden

43



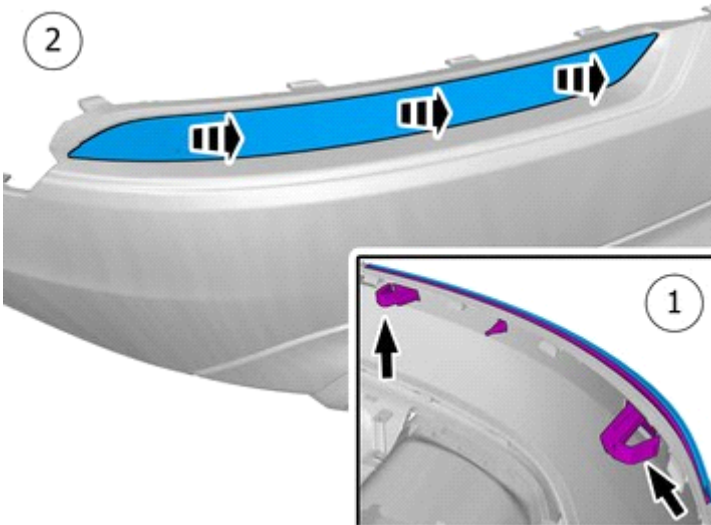
IMG-397881

1. Release the catches.
2. Remove the marked part.

Repeat on the other side.

The part is not to be reused.

44



IMG-397885

Caution!
The part is to be reused.

1. Release the catches.
2. Remove the marked part.

Repeat on the other side.

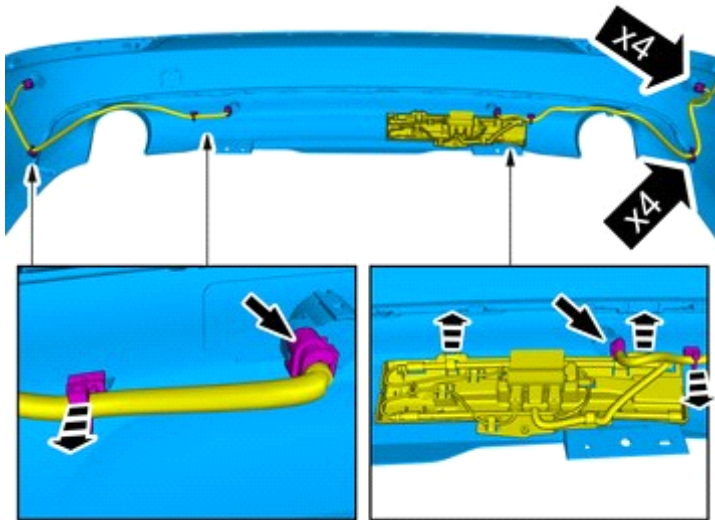
Orientation view



Installation instructions, accessories

Volvo Car Corporation Gothenburg, Sweden

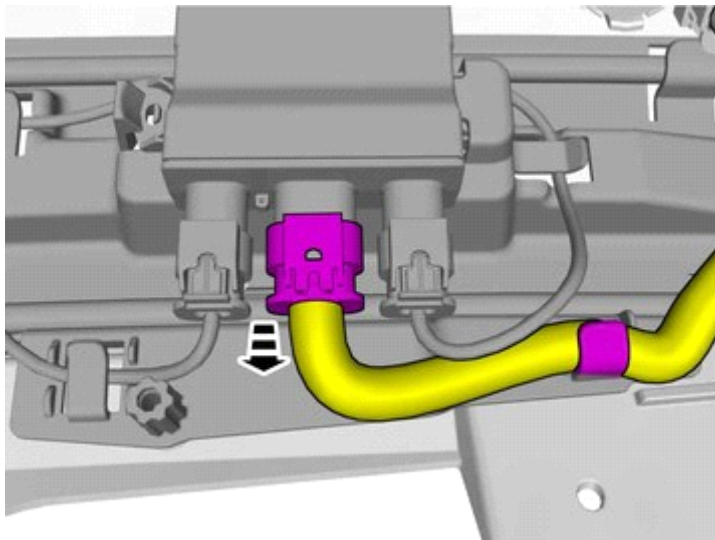
45



IMG-383969

Vehicles with Foot movement detection (FMDM)

46



IMG-395851

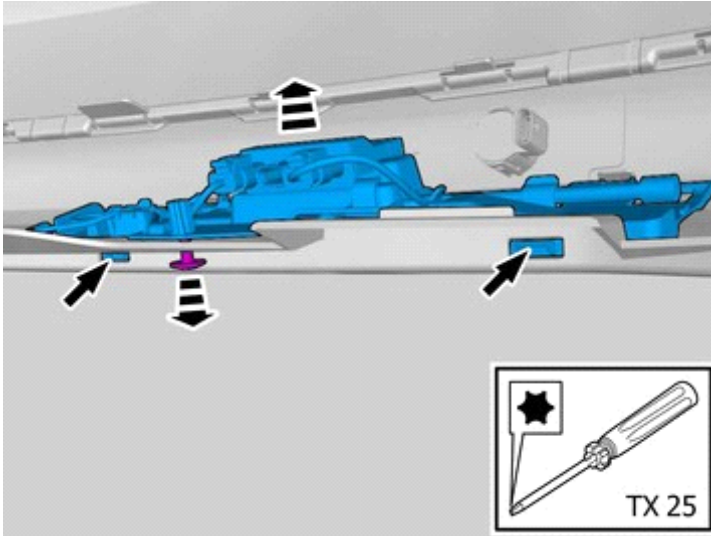
Disconnect the connector.



Installation instructions, accessories

Volvo Car Corporation Gothenburg, Sweden

47



IMG-397041

Remove the screws.

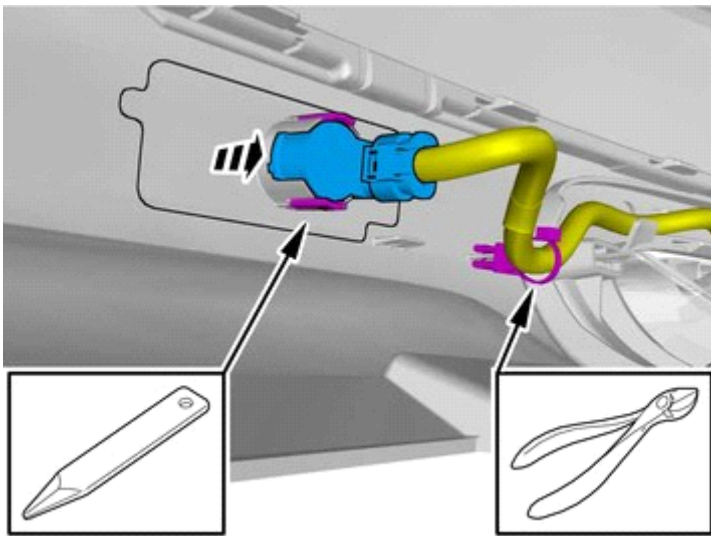
Release the catches.

Remove the marked part.

The part is to be reused.

Vehicles with parking assistance

48



IMG-395840

Note!

Do not remove the connectors.

Remove the cable tie(s).

Remove the part carefully

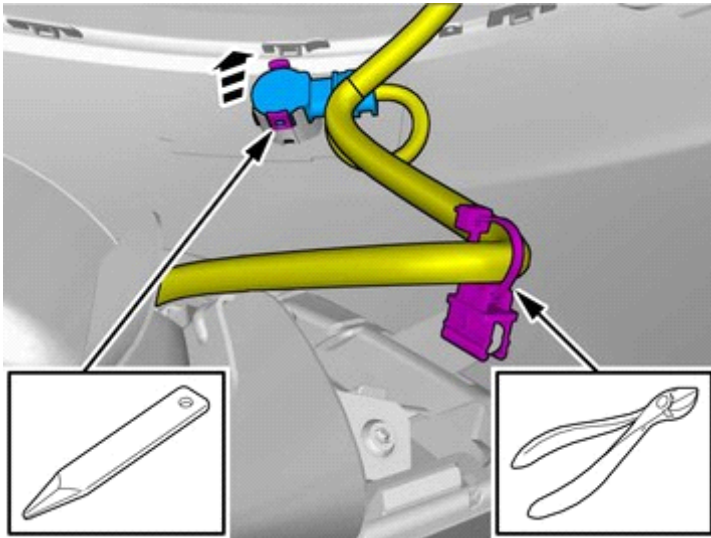
Repeat on the other side.



Installation instructions, accessories

Volvo Car Corporation Gothenburg, Sweden

49



IMG-406367

Note!

Do not remove the connectors.

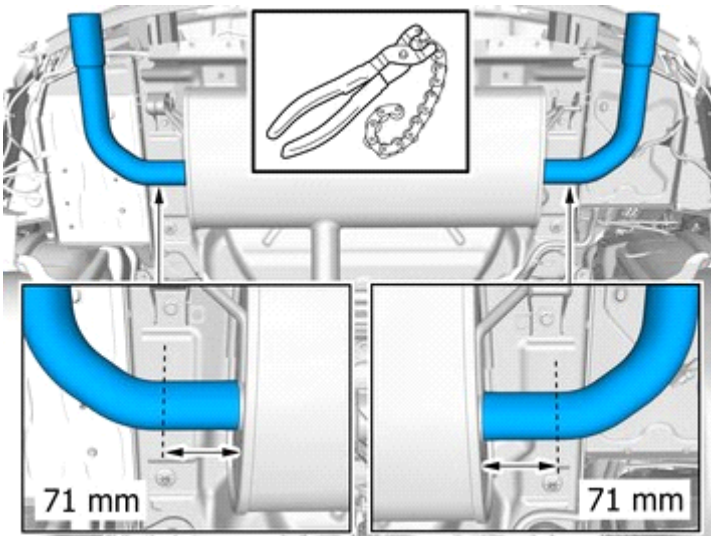
Remove the cable tie(s).

Remove the part carefully

Repeat on the other side.

Alternative 1

50



IMG-397092

Use: Pipe cutter

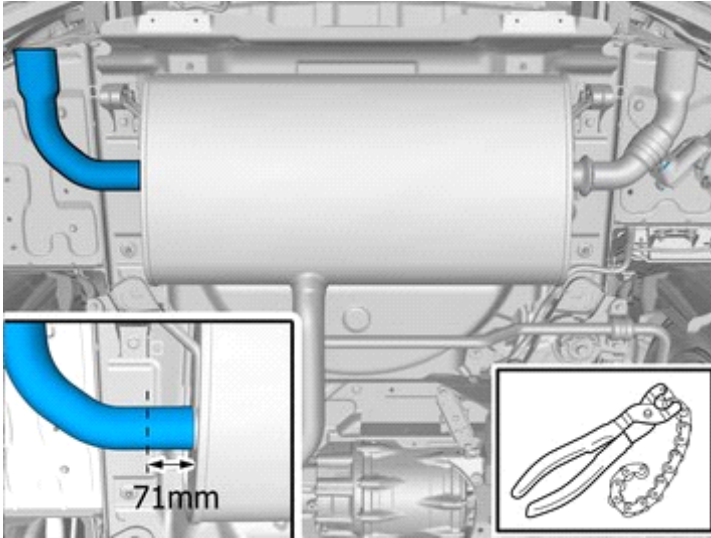
Alternative 2



Installation instructions, accessories

Volvo Car Corporation Gothenburg, Sweden

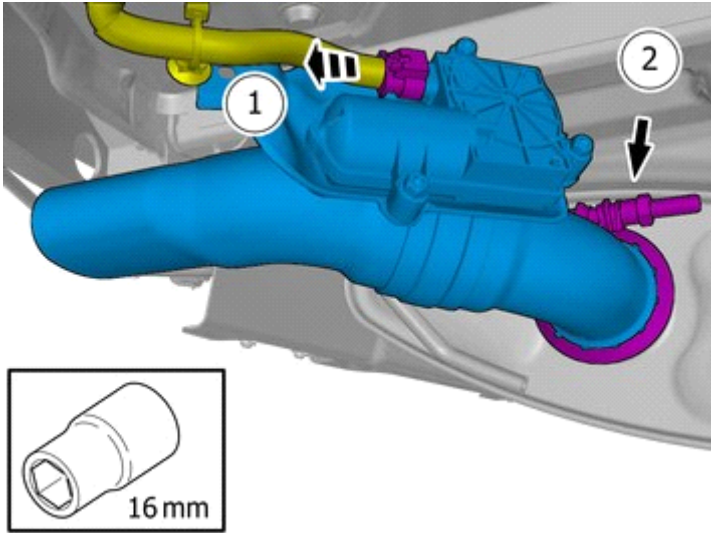
51



IMG-397091

Use: Pipe cutter

52



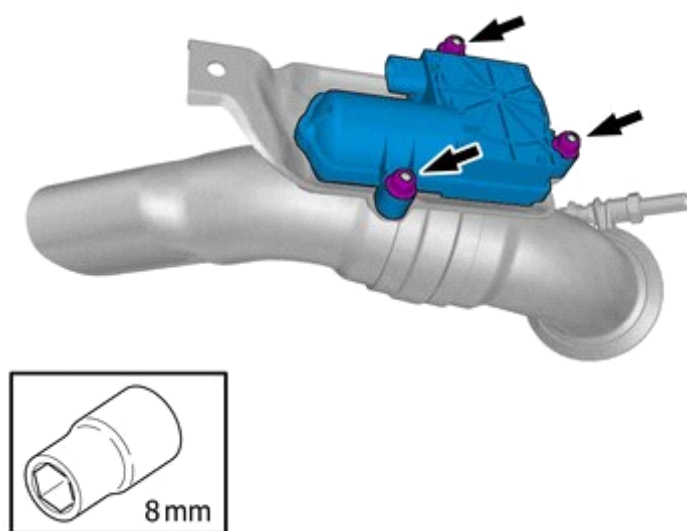
IMG-392927

Disconnect the connector.

Loosen the nut.

Remove the marked part.

53



IMG-392938

Remove the nuts.

Remove the marked part.

The part is to be reused.



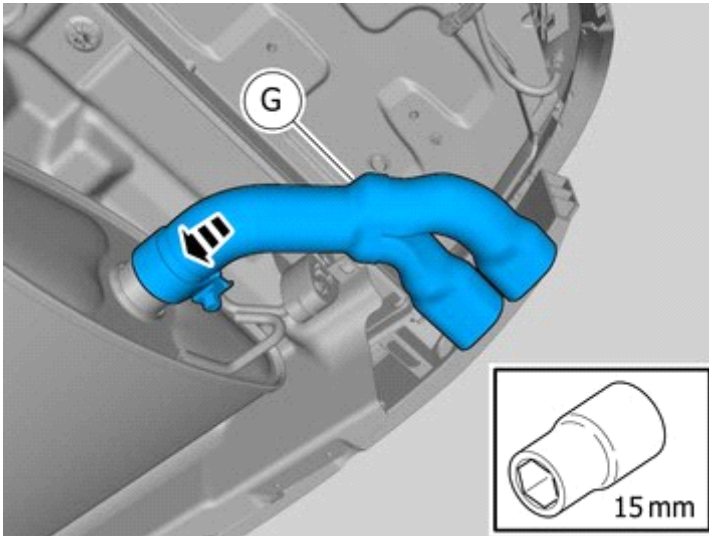
Installation instructions, accessories

Volvo Car Corporation Gothenburg, Sweden

Accessory installation

All vehicles

54



IMG-397104

Note!

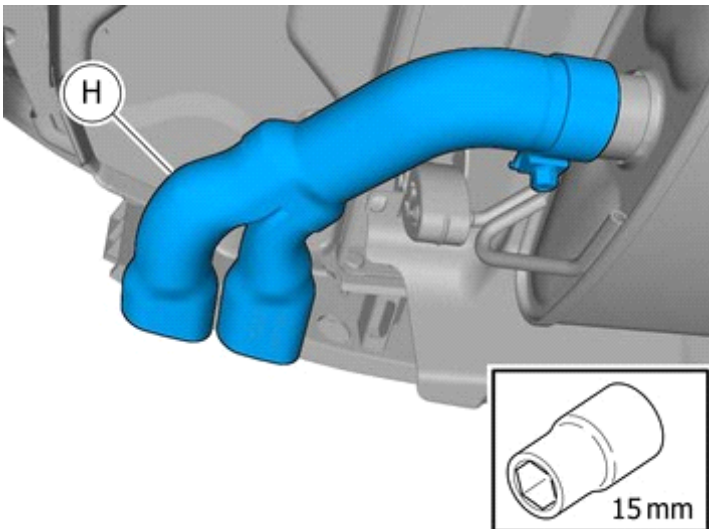
Do not fully tighten the nut yet.

Install component that comes with the accessory kit.

Tighten the nut.

Alternative 1

55



IMG-397121

Note!

Do not fully tighten the nut yet.

Install component that comes with the accessory kit.

Tighten the nut.

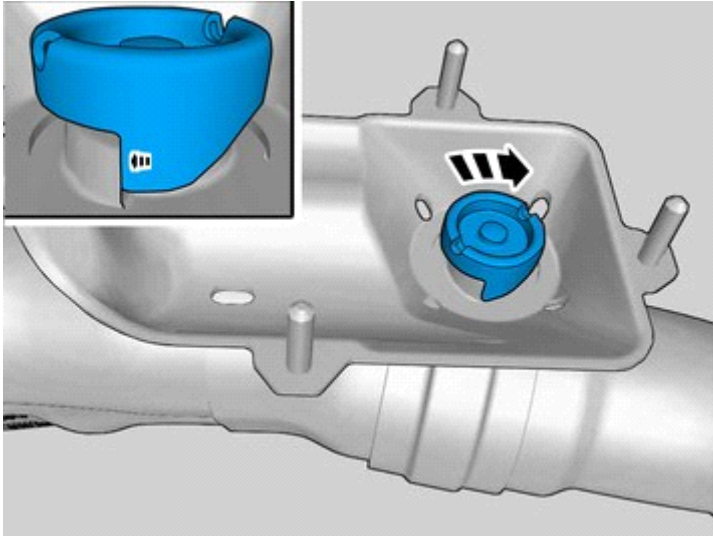
Alternative 2



Installation instructions, accessories

Volvo Car Corporation Gothenburg, Sweden

56

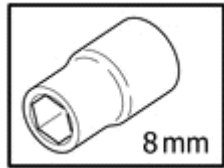
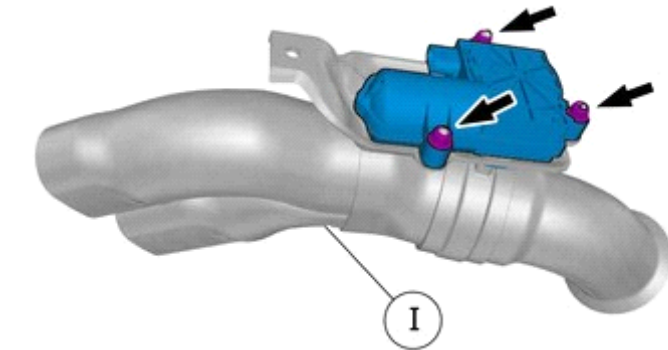


IMG-393336

Note!

Note the position.

57

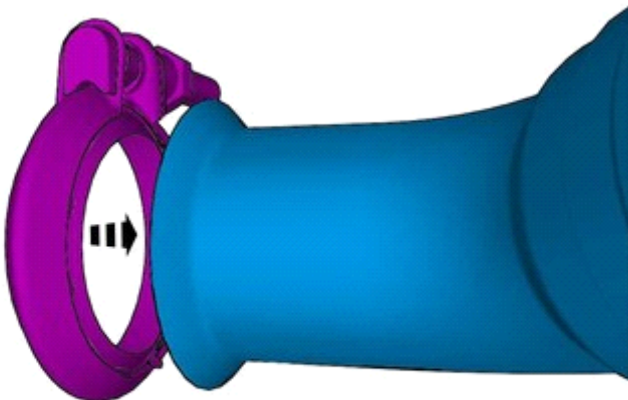


IMG-392939

Reinstall the removed part.

Tightening torque: M5 , 5 Nm

58



Caution!

Be extra careful when removing or installing this component.

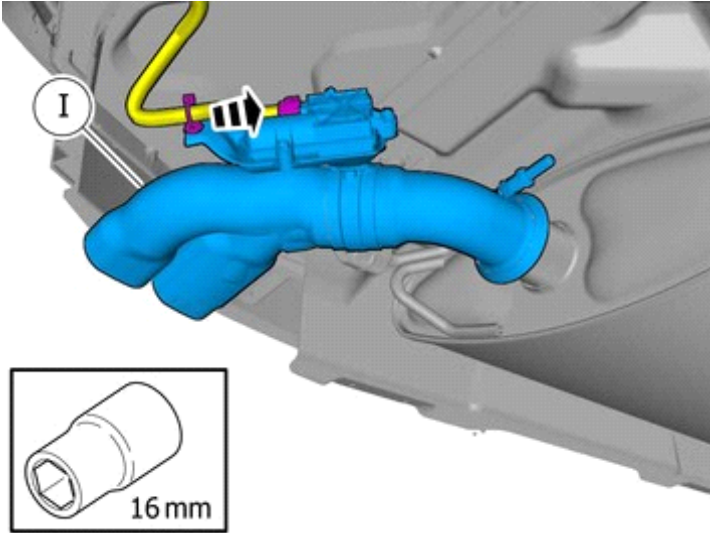
IMG-392925



Installation instructions, accessories

Volvo Car Corporation Gothenburg, Sweden

59



IMG-397111

Note!

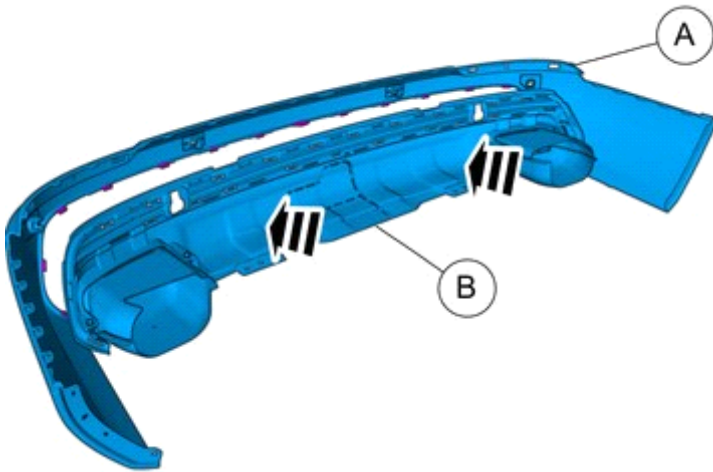
Do not fully tighten the nut yet.

Install component that comes with the accessory kit.

Tighten the nut.

Connect the connector.

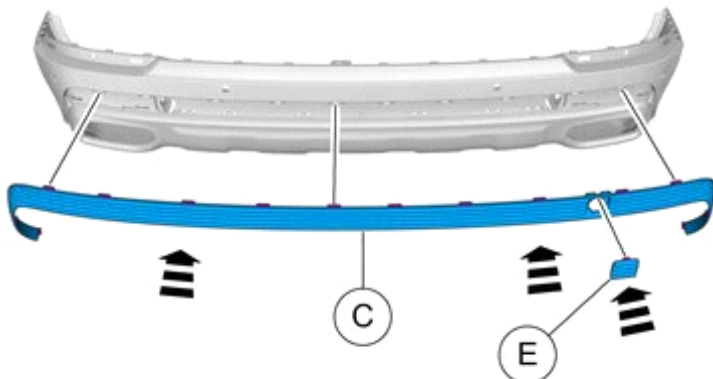
60



IMG-384344

Install component that comes with the accessory kit.

61



IMG-384347

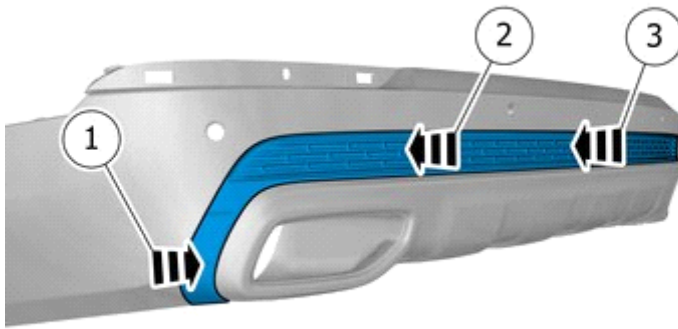
Install component that comes with the accessory kit.



Installation instructions, accessories

Volvo Car Corporation Gothenburg, Sweden

62



IMG-401050

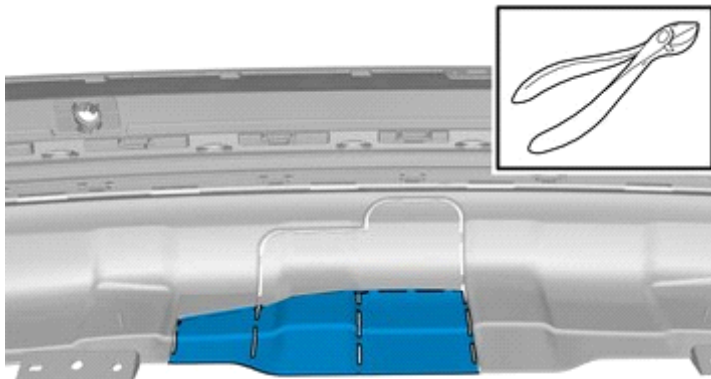
Note!

Make sure to follow the sequence indicated.

Repeat on the other side.

Vehicles with folding towbar

63



IMG-400604

Cut following the dotted lines.

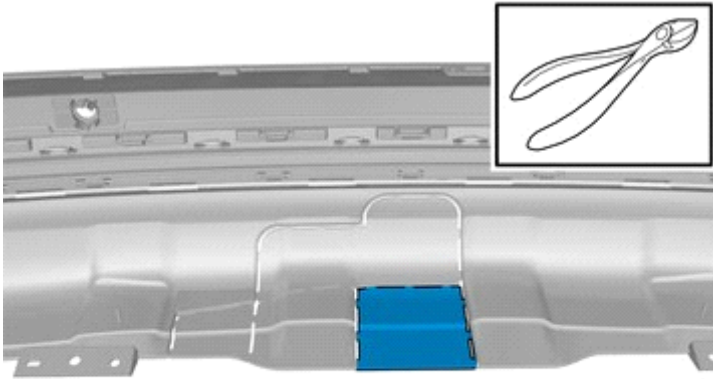
Vehicles with fixed towbar



Installation instructions, accessories

Volvo Car Corporation Gothenburg, Sweden

64

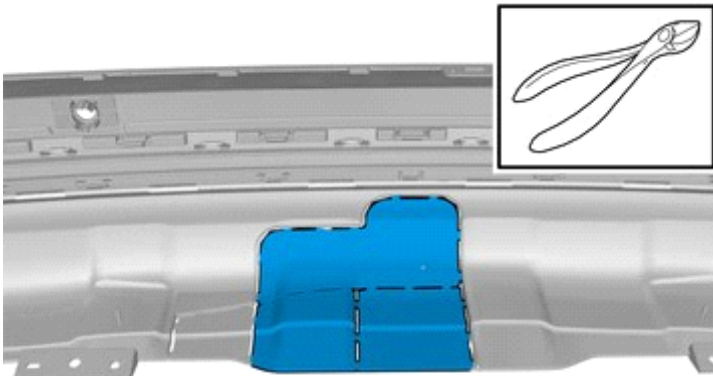


Cut following the dotted lines.

IMG-400608

Vehicles with towbar, Hitch

65



Cut following the dotted lines.

IMG-400605

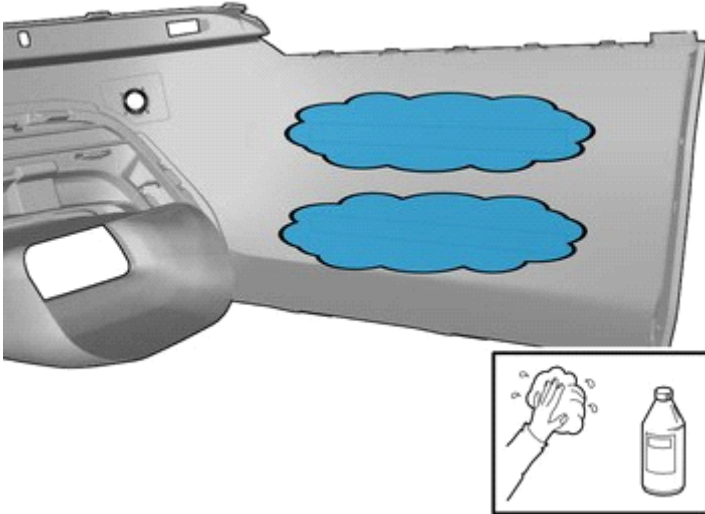
Vehicles with Foot movement detection (FMDM)



Installation instructions, accessories

Volvo Car Corporation Gothenburg, Sweden

66

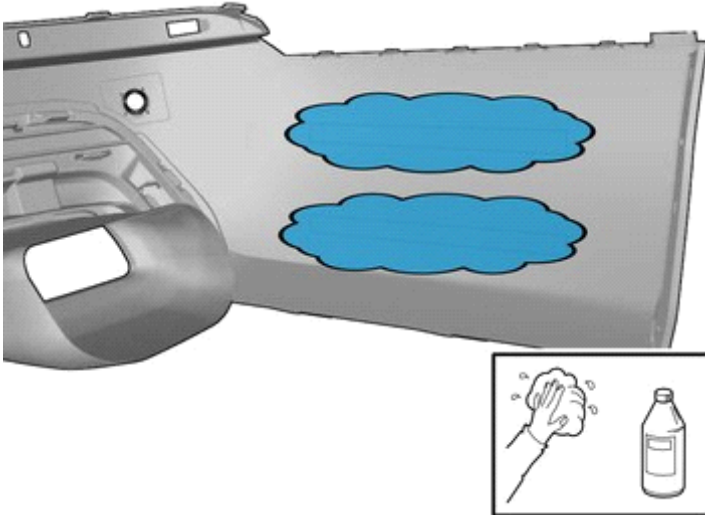


IMG-397138

Clean the surface.

Use: 1161721, Cleaning agent

67

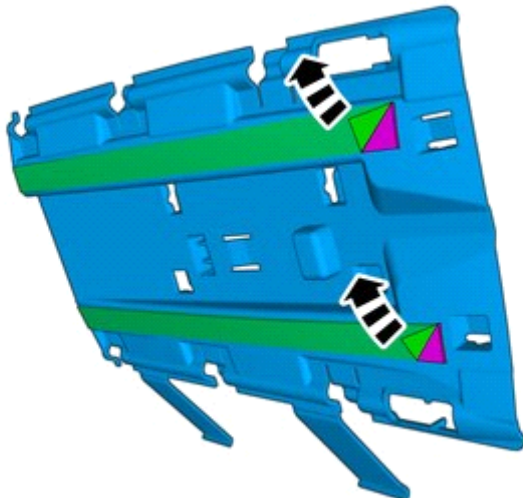


IMG-397138

Apply a thin and even layer.

Use: 1161727, Primer

68



IMG-384168

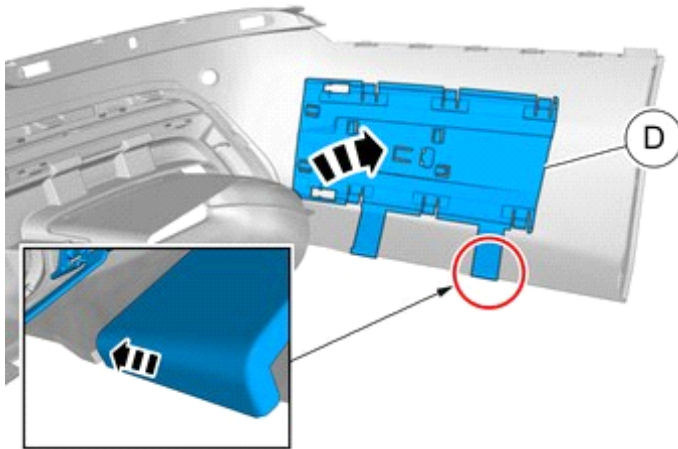
Remove the protective film.



Installation instructions, accessories

Volvo Car Corporation Gothenburg, Sweden

69



IMG-384148

Note!

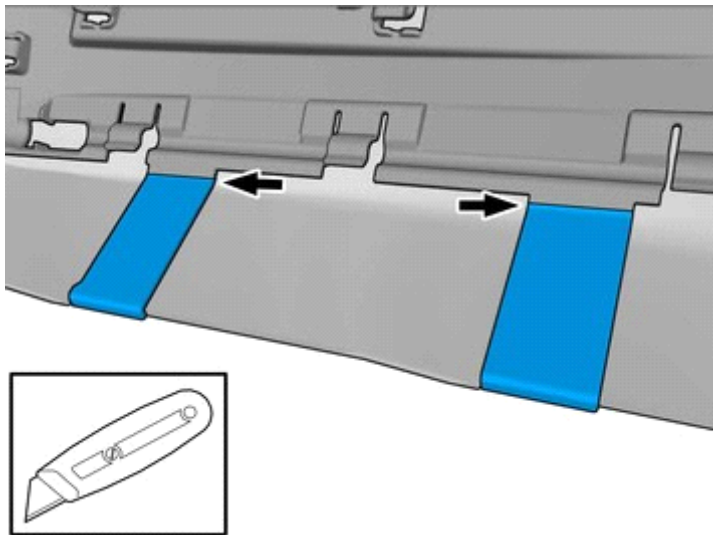
Note the position.

Hint

Press and apply pressure to the part over the tape for at least 20 seconds.

Install component that comes with the accessory kit.

70



IMG-384288

Remove the marked part.

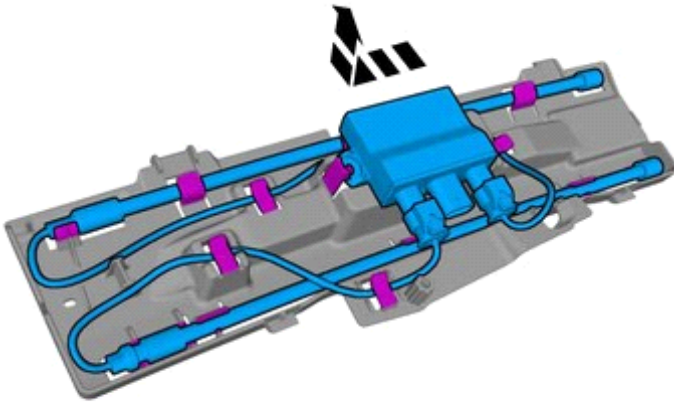
Removal



Installation instructions, accessories

Volvo Car Corporation Gothenburg, Sweden

71



IMG-406368

Note!

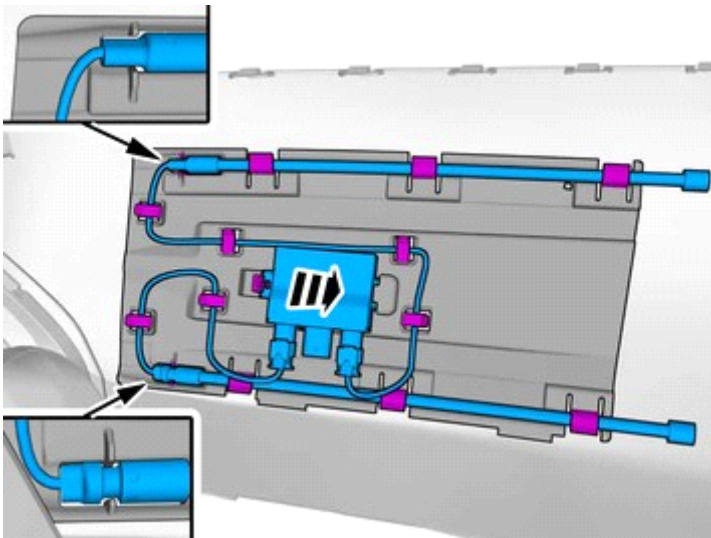
Do not remove the connectors.

Remove the marked part.

The part is to be reused.

Installation

72



IMG-384394

Note!

Note the position.

Reinstall the removed part.

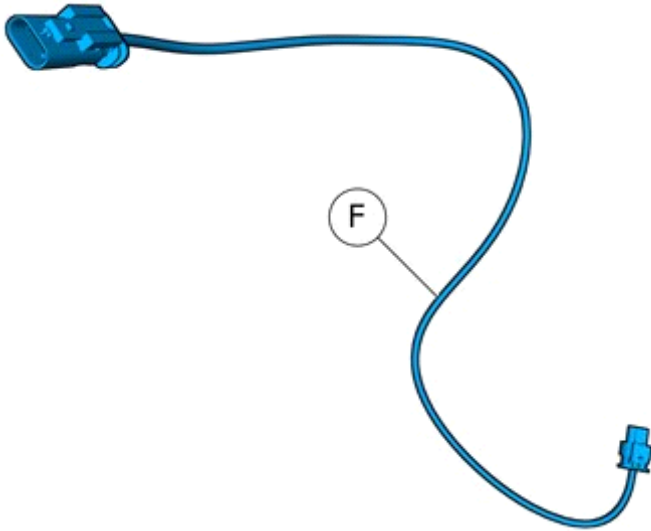
Accessory installation



Installation instructions, accessories

Volvo Car Corporation Gothenburg, Sweden

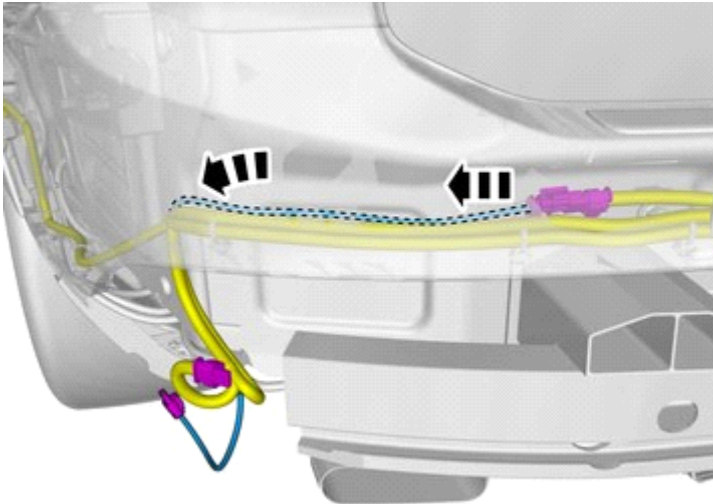
73



Note!
Orientation view

IMG-406405

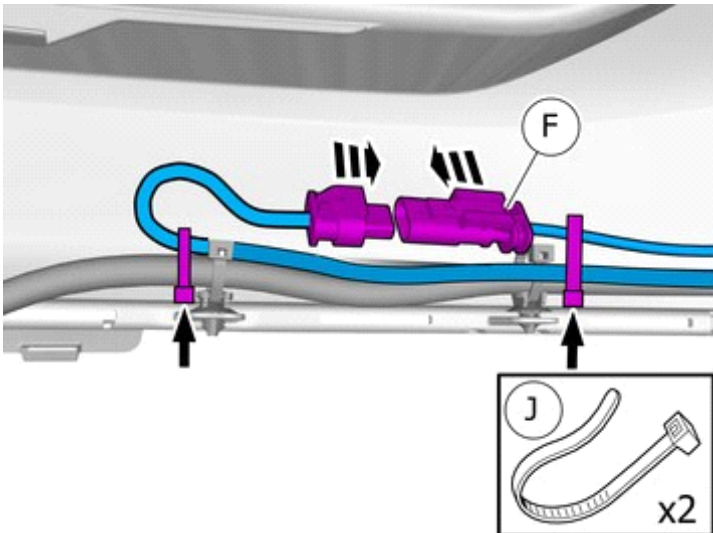
74



Note!
Orientation view

IMG-384804

75



Install component that comes with the accessory kit.

Connect the connector.

Route the wire adjacent to existing wirings.

Tighten the cable ties.

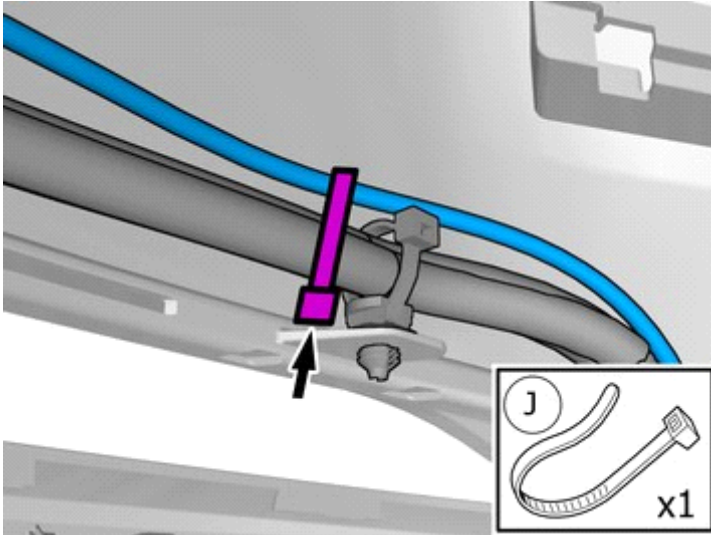
IMG-406400



Installation instructions, accessories

Volvo Car Corporation Gothenburg, Sweden

76



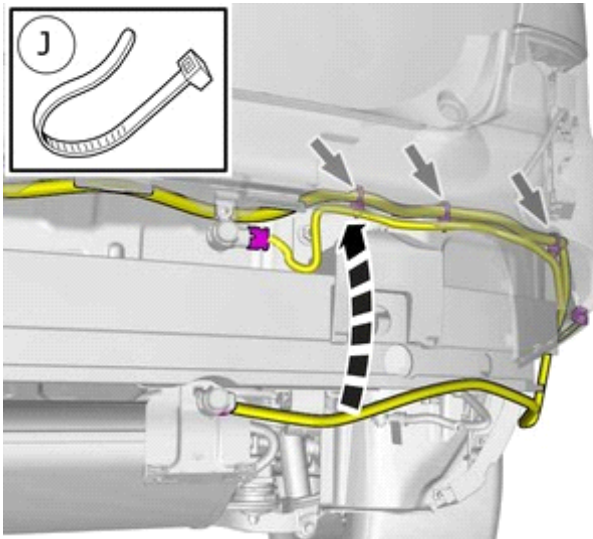
IMG-406403

Route the wire adjacent to existing wirings.

Tighten the cable tie.

Vehicles with parking assistance

77



IMG-395885

Route the wire adjacent to existing wirings.

Tighten the cable ties.

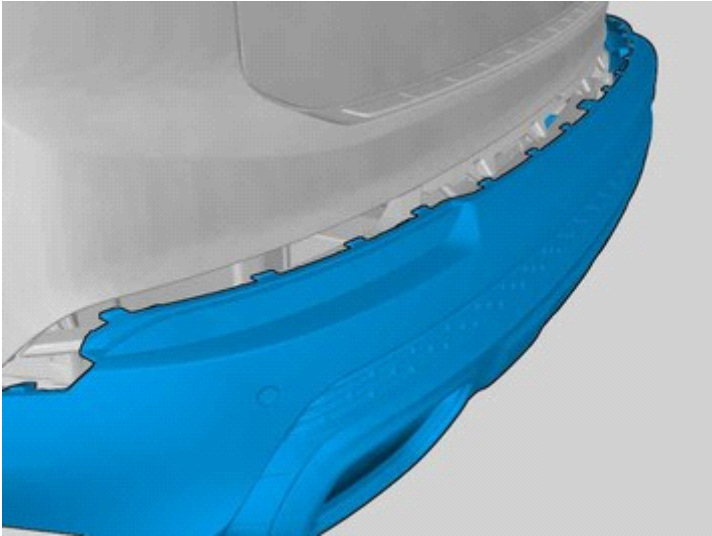
On both sides.



Installation instructions, accessories

Volvo Car Corporation Gothenburg, Sweden

78



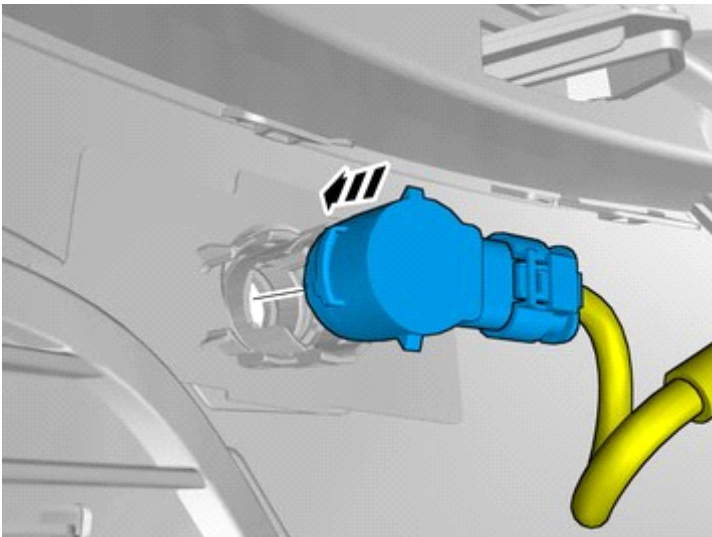
IMG-406410

Note!

This step is easier with two people.

Place the component where indicated in the graphic.

79

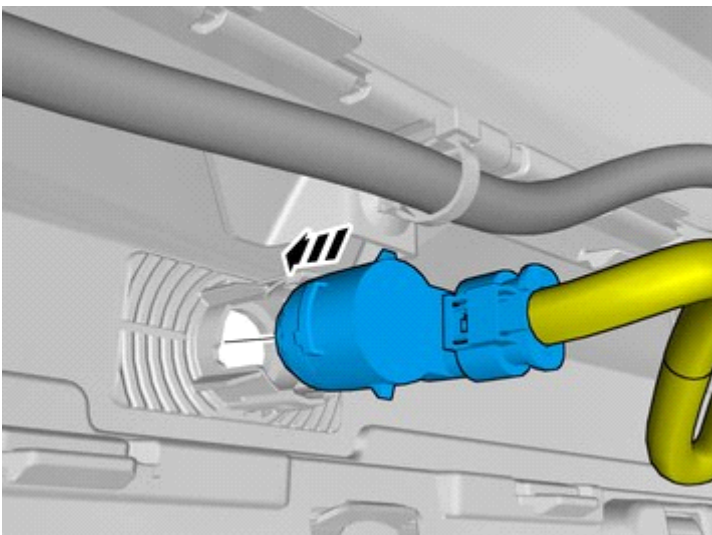


IMG-406406

Reinstall the removed part.

Repeat on the other side.

80



IMG-406408

Reinstall the removed part.

Repeat on the other side.

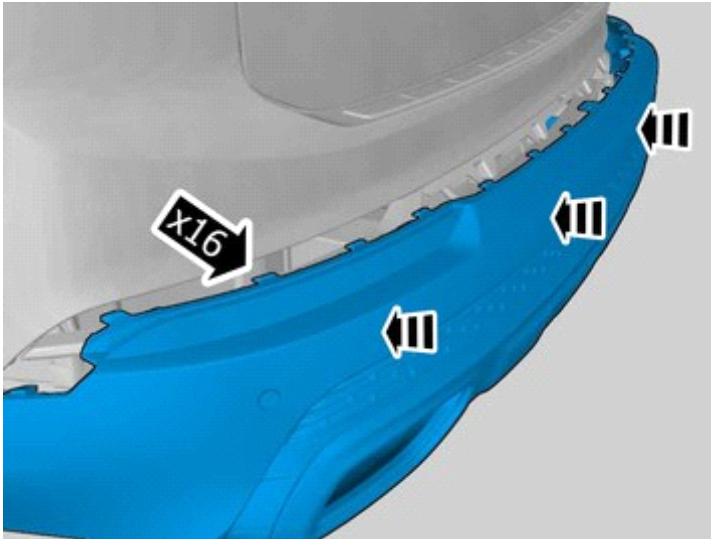


Installation instructions, accessories

Volvo Car Corporation Gothenburg, Sweden

All vehicles

81

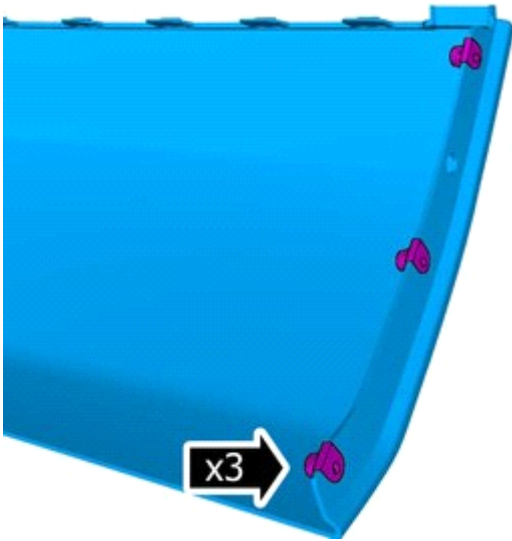


IMG-393101

Note!

This step is easier with two people.

82



IMG-397189

Reinstall the clips.

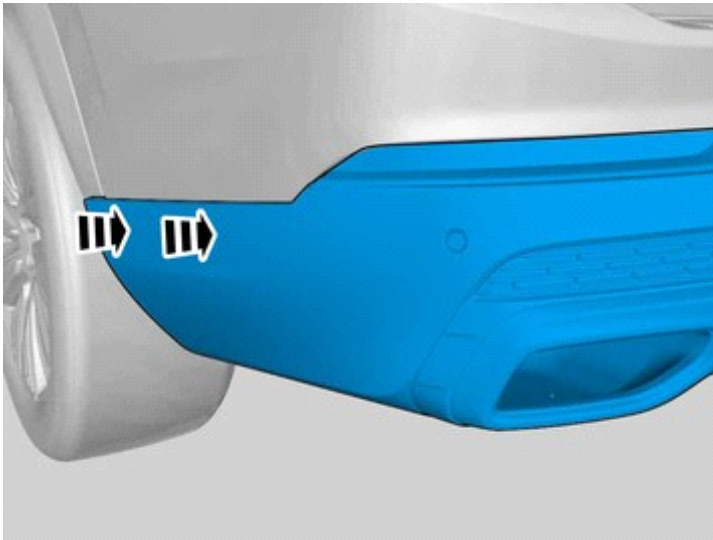
On both sides.



Installation instructions, accessories

Volvo Car Corporation Gothenburg, Sweden

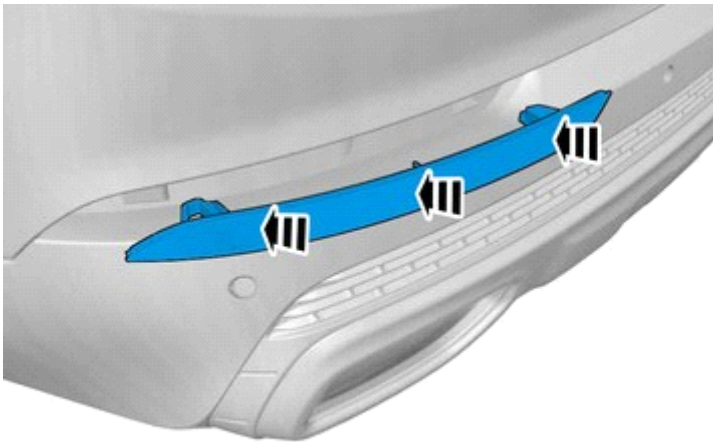
83



IMG-393100

Repeat on the other side.

84

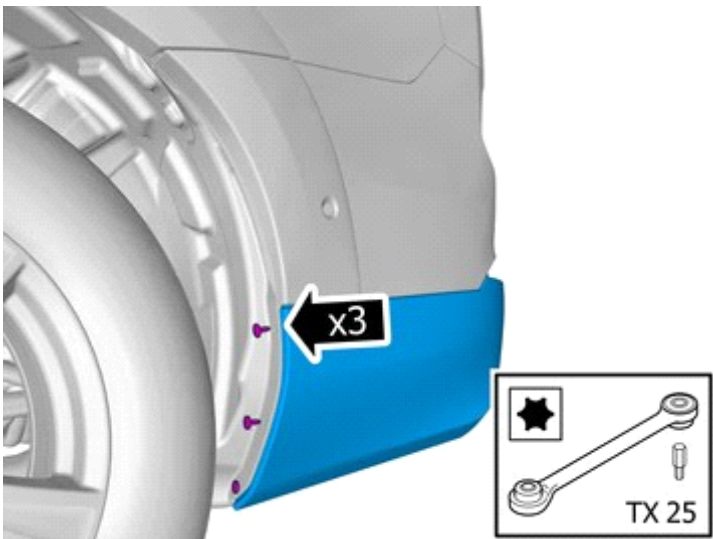


IMG-397890

Reinstall the removed part.

Repeat on the other side.

85



IMG-383914

Reinstall the screws.

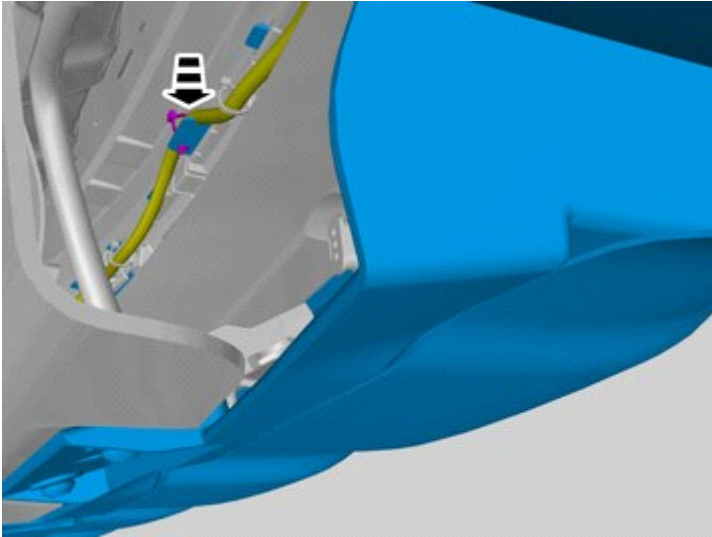
On both sides.



Installation instructions, accessories

Volvo Car Corporation Gothenburg, Sweden

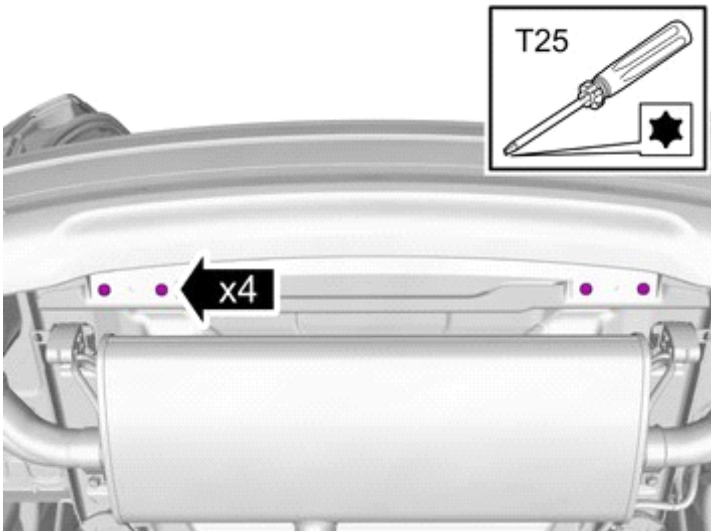
86



IMG-393105

Reinstall the removed part.

87



IMG-381901

Reinstall the screws.

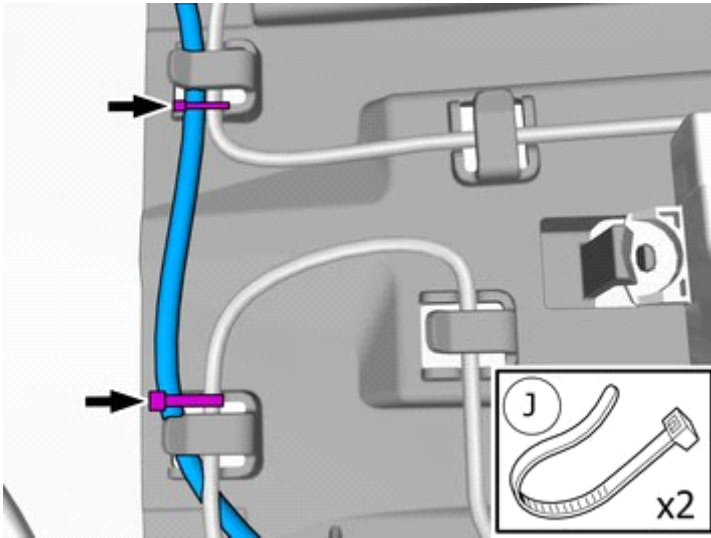
Vehicles with Foot movement detection (FMDM)



Installation instructions, accessories

Volvo Car Corporation Gothenburg, Sweden

88

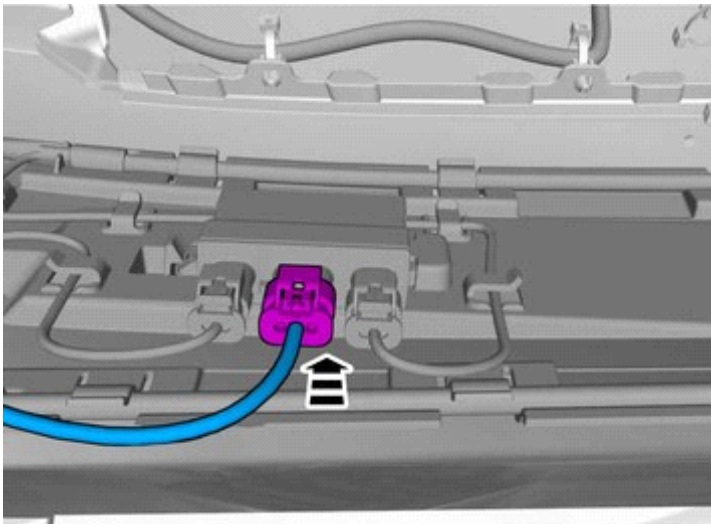


IMG-406412

Position/route the cable harness as illustrated.

Tighten the cable ties.

89



IMG-406413

Connect the prerouted cable.

Setting

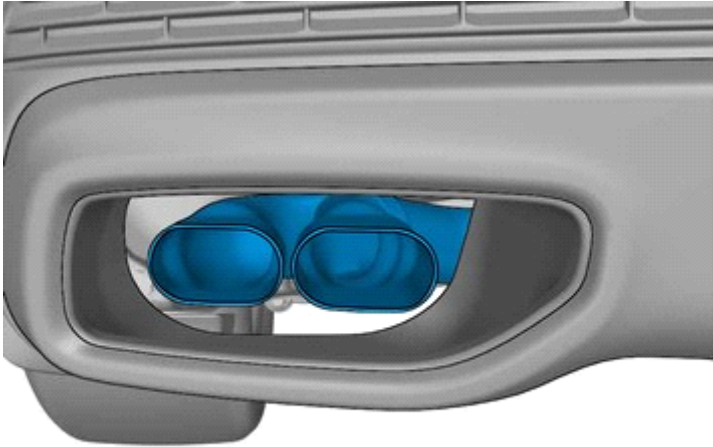
All vehicles



Installation instructions, accessories

Volvo Car Corporation Gothenburg, Sweden

90

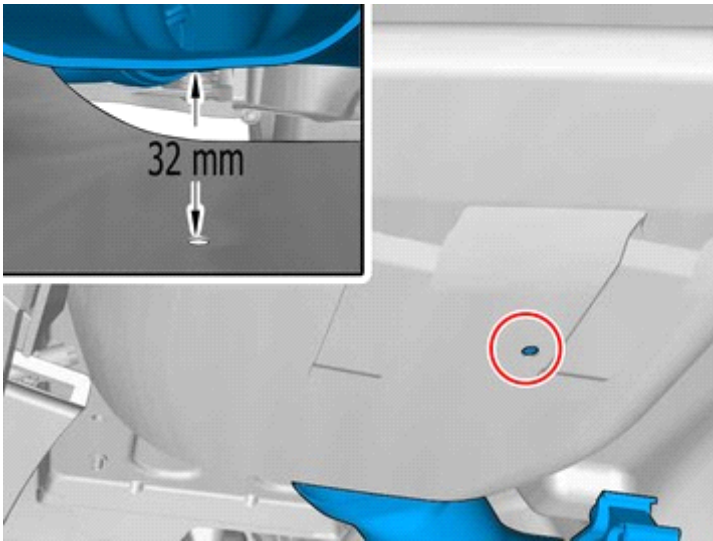


Note!

Note the position.

IMG-393095

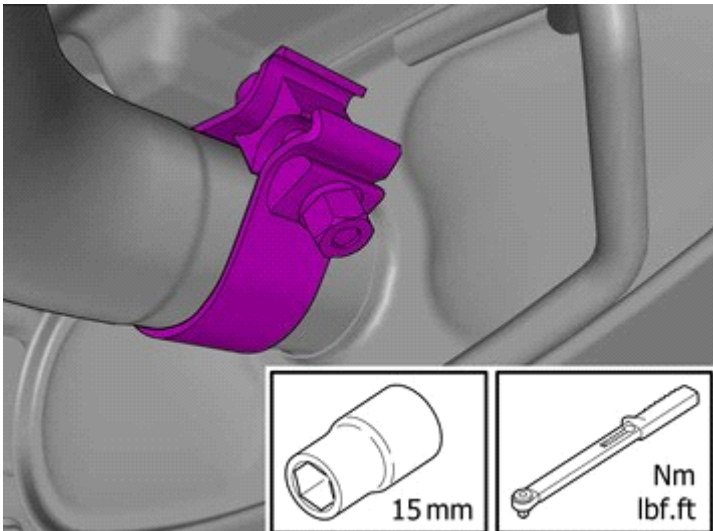
91



Use: Vernier caliper

IMG-396589

92



Tighten to the value stated.

Tightening torque: M10 , 50 Nm

IMG-393088



Installation instructions, accessories

Volvo Car Corporation Gothenburg, Sweden

Alternative 1

93

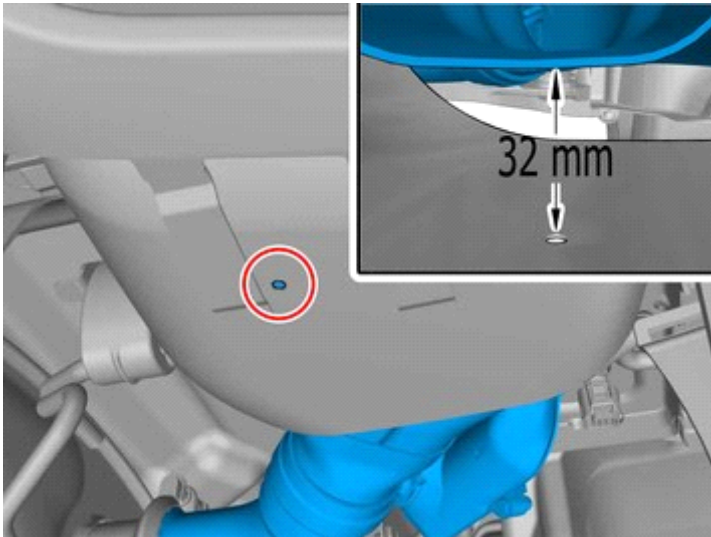


Note!

Note the position.

IMG-393085

94



Use: Vernier caliper

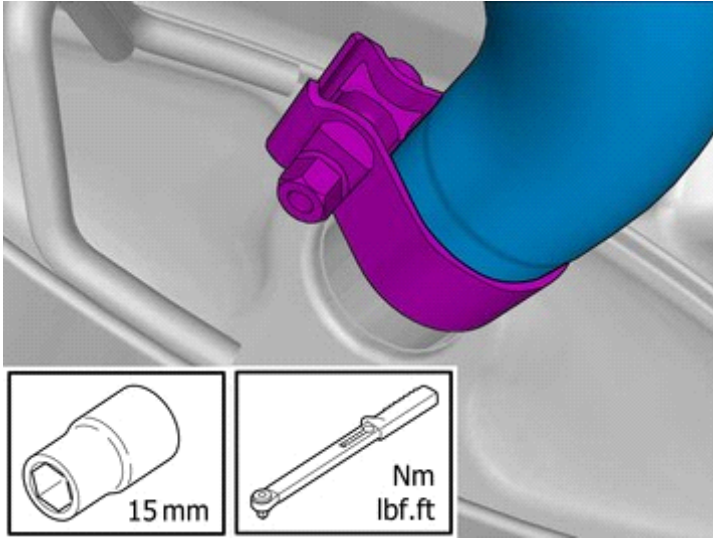
IMG-396585



Installation instructions, accessories

Volvo Car Corporation Gothenburg, Sweden

95



IMG-393097

Tighten to the value stated.

Tightening torque: M10 , 50 Nm

Alternative 2

96



IMG-393085

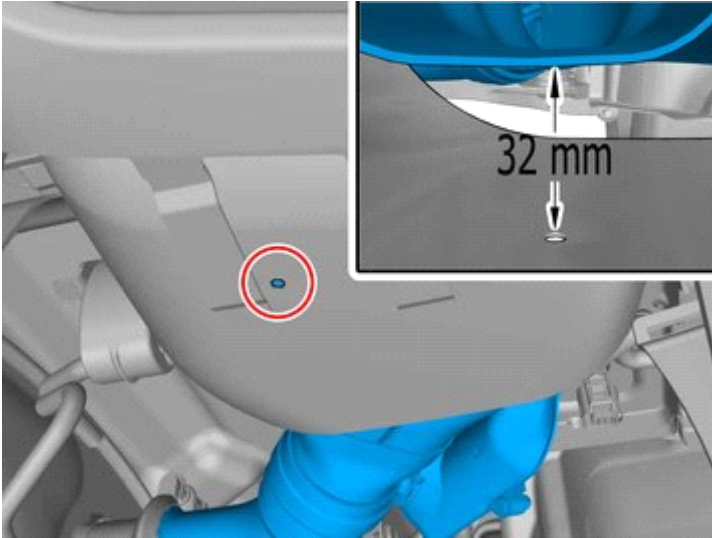
Note!
Note the position.



Installation instructions, accessories

Volvo Car Corporation Gothenburg, Sweden

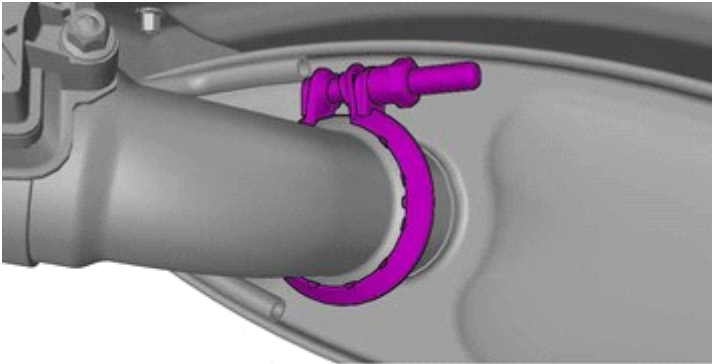
97



IMG-396585

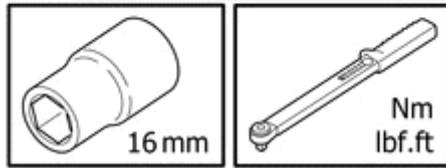
Use: Vernier caliper

98



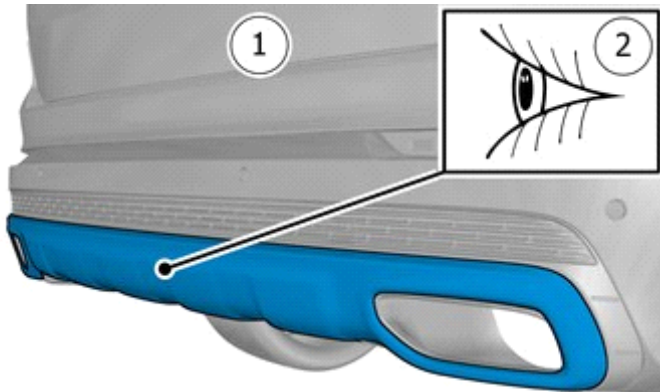
Tighten the nut.

Tightening torque: ,



IMG-393090

99



Caution!

Make sure that the surface is clean and free of foreign material.

Wax the component indicated.

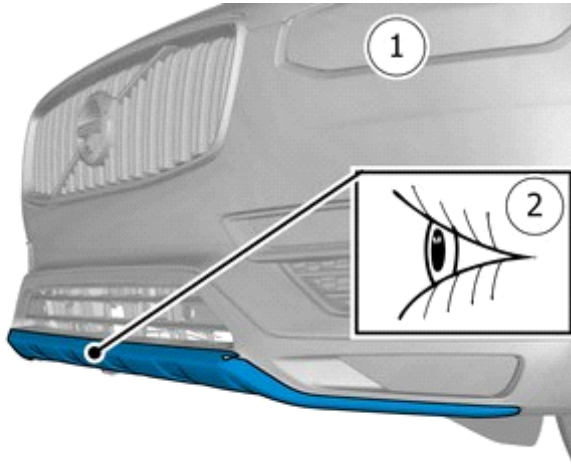
IMG-400598



Installation instructions, accessories

Volvo Car Corporation Gothenburg, Sweden

100



Caution!

Make sure that the surface is clean and free of foreign material.

Wax the component indicated.

IMG-400599